

4

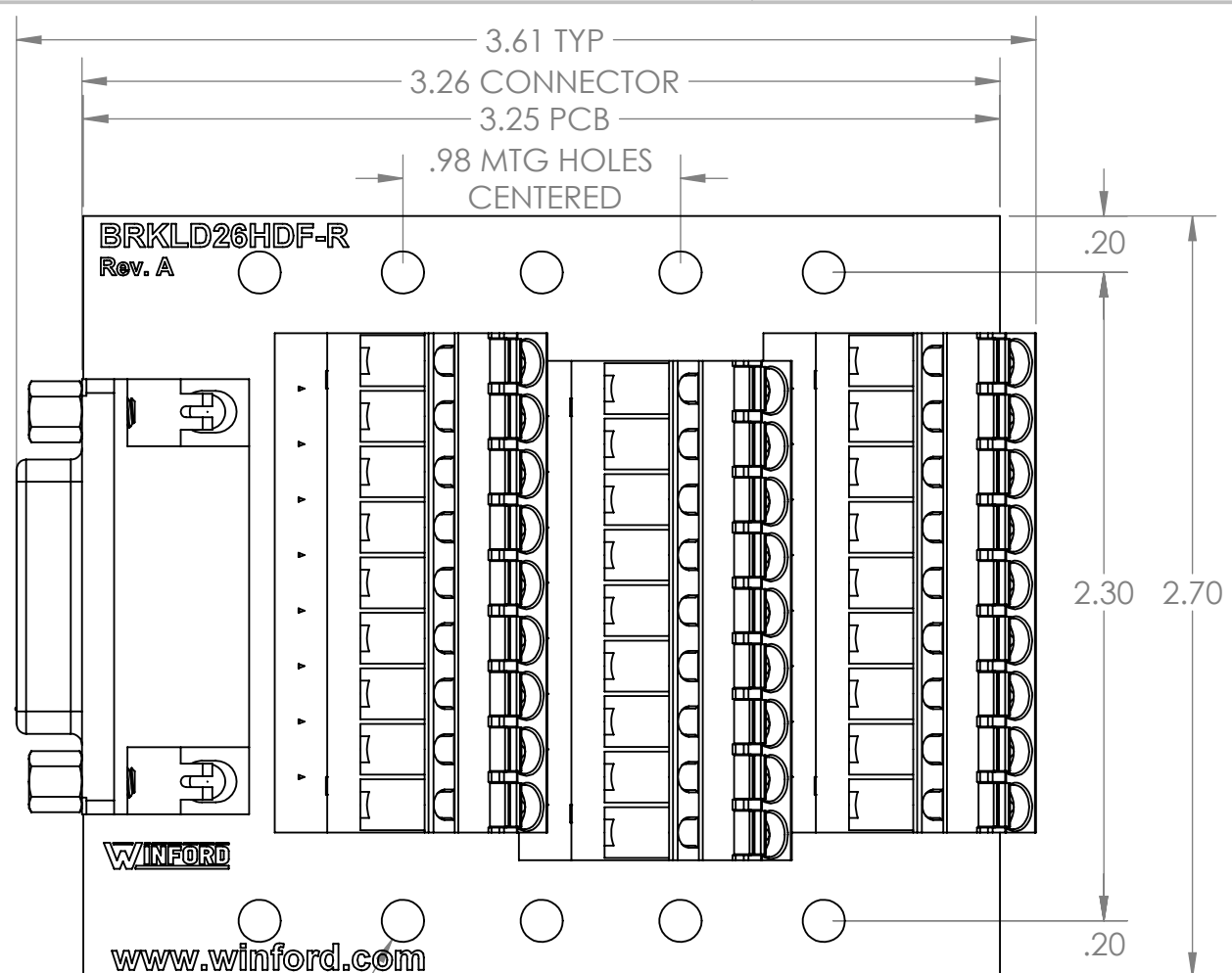
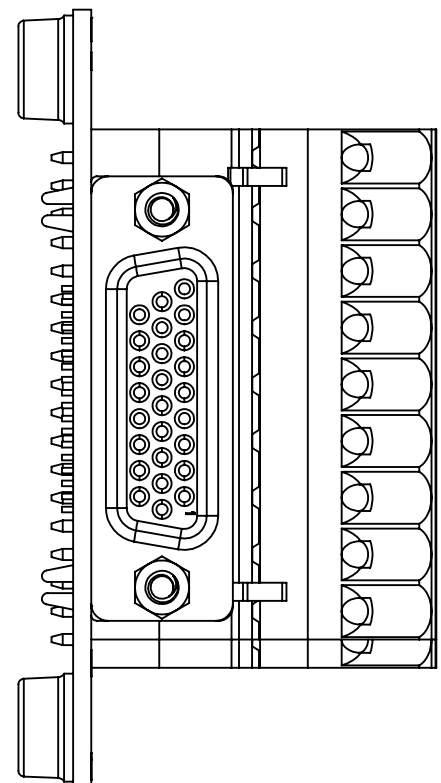
3

2

1

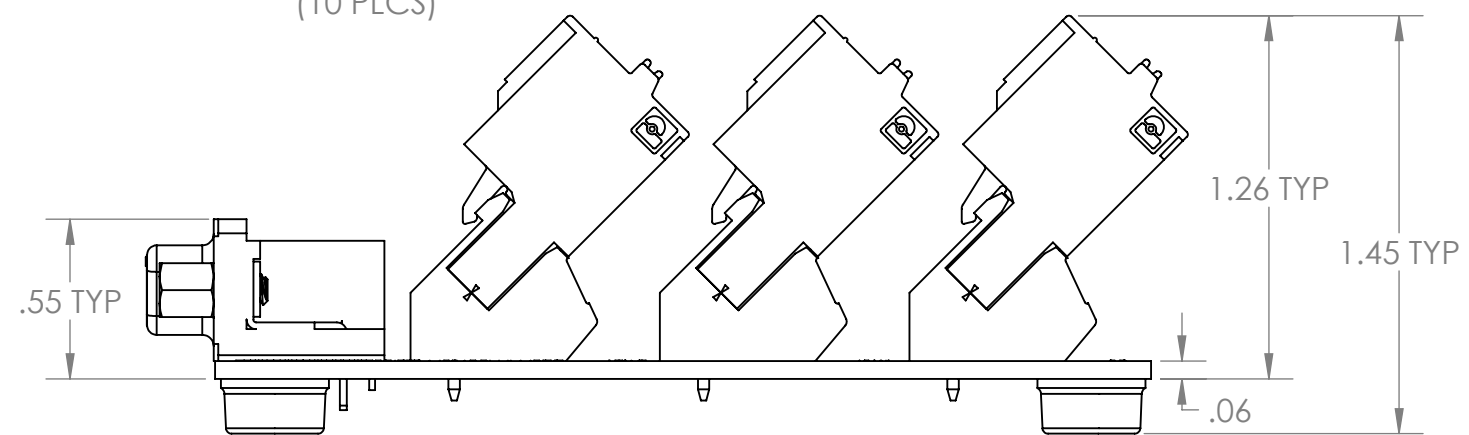
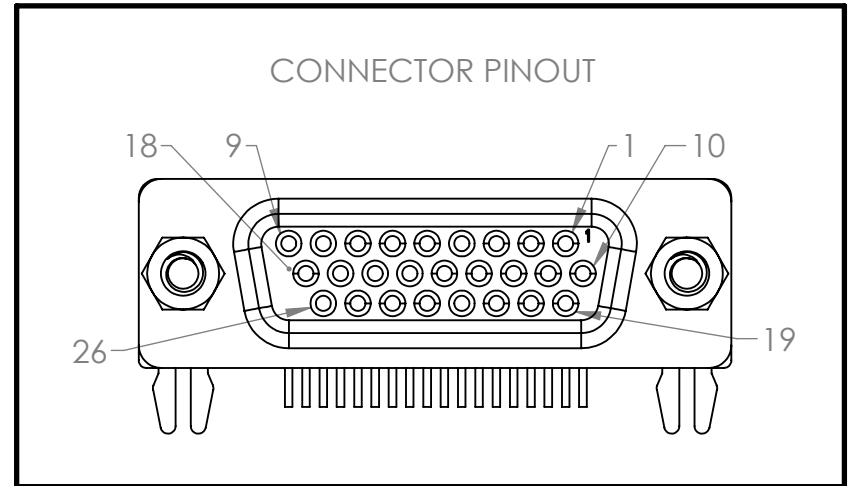
B


B



A

A



DIM: INCH	DATE: 02/28/21	RoHS COMPLIANT: YES	DESCRIPTION:
 WINFORD ENGINEERING, LLC 4561 GARFIELD ROAD AUBURN, MI 48611			DB26HD Female Breakout
www.winford.com		989-671-9721	PART NUMBER (S) BRKLD26HDF-RG-FT
			PART REVISION A

4

3

2

1