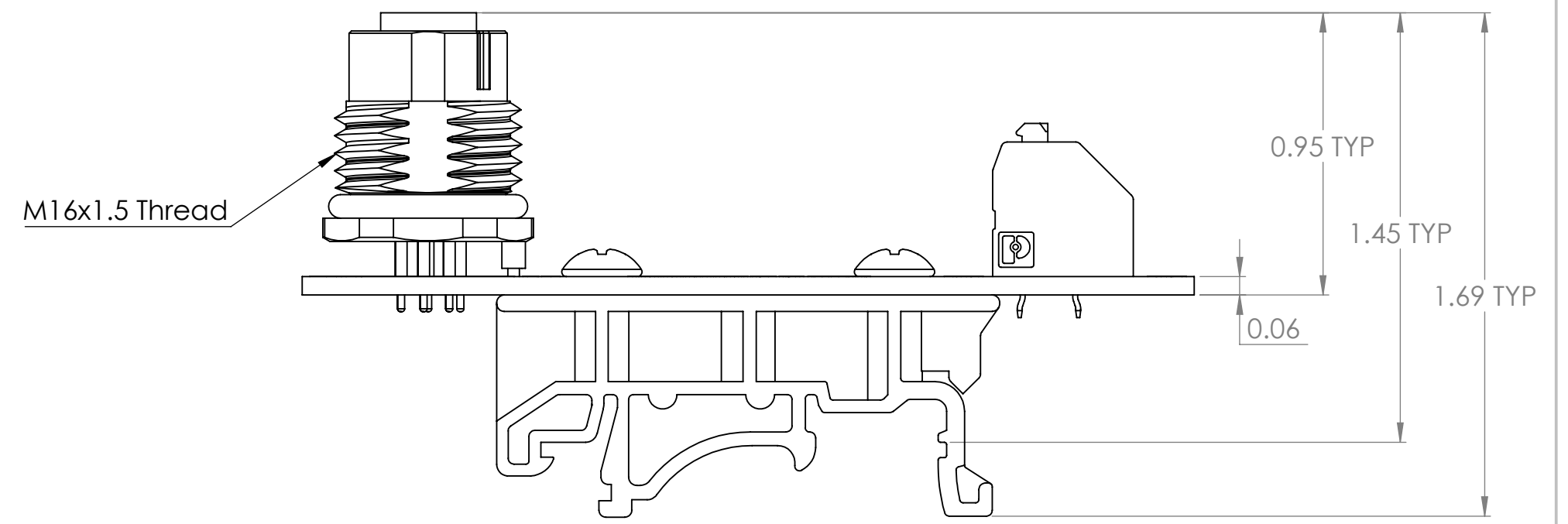
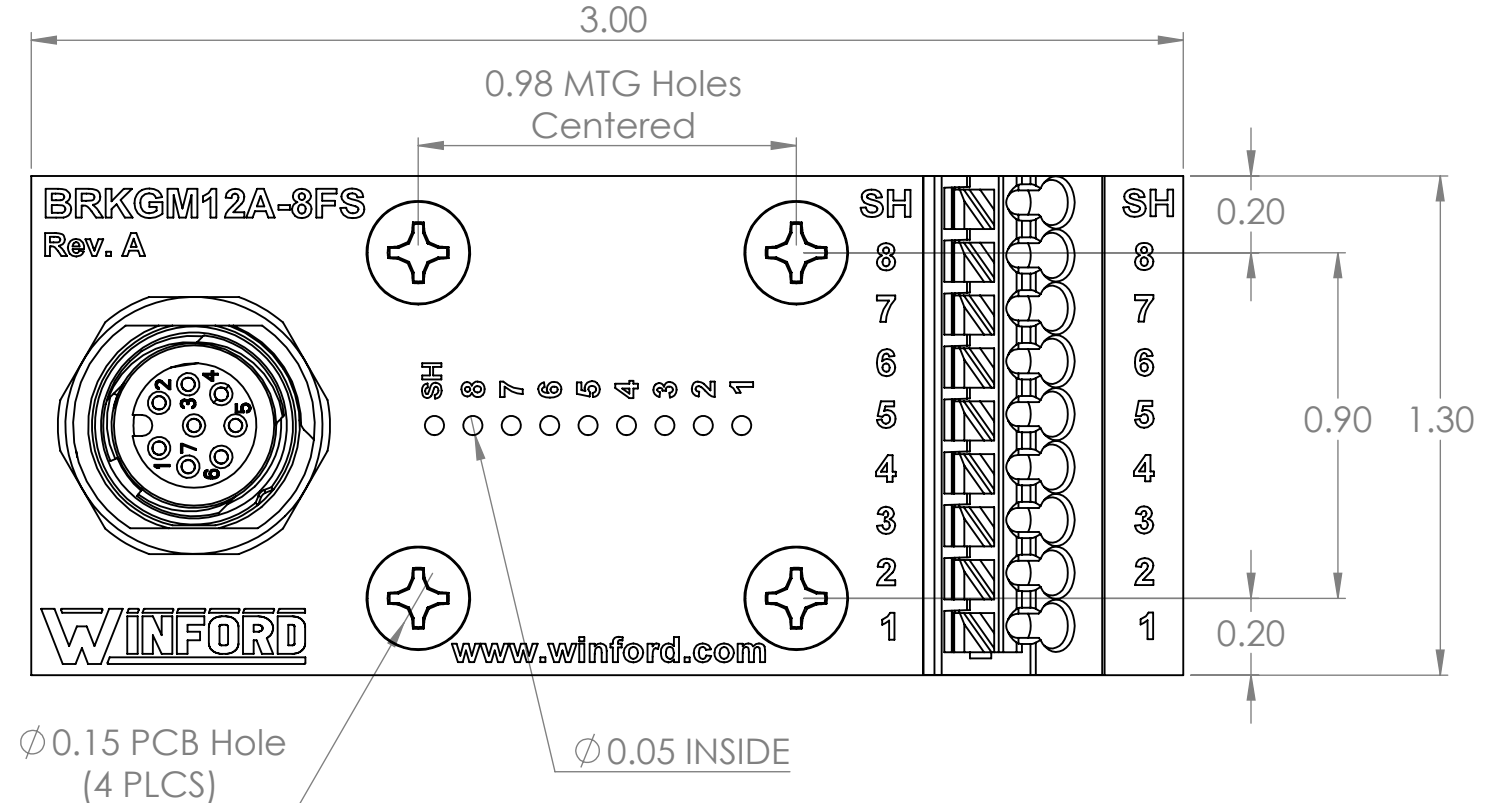
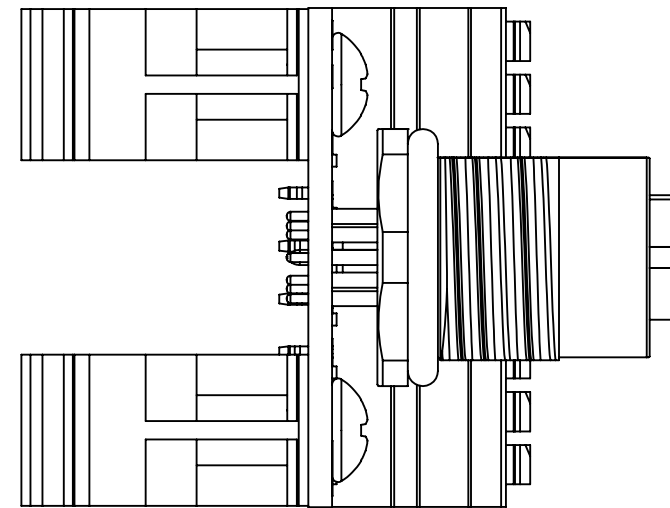


4

3

2

1

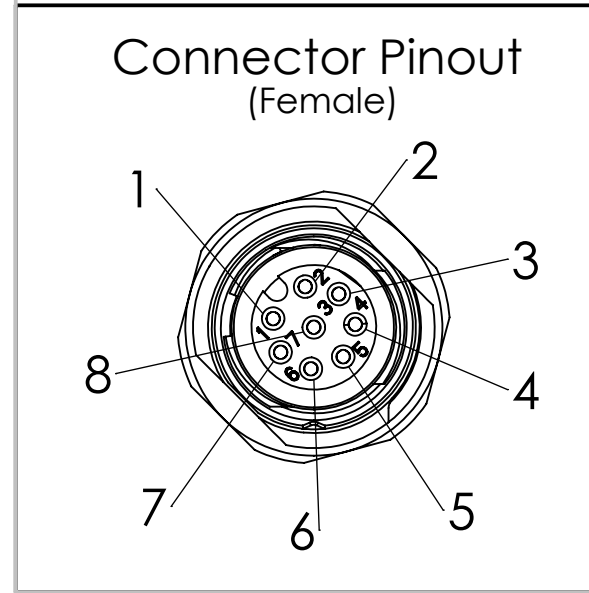


B

B

A

A



4

3

2

1

DIM: INCH	DATE: 1/31/2022	RoHS COMPLIANT: Yes	DESCRIPTION: M12 8 Pin Female Breakout with Spring Terminals
		WINFORD ENGINEERING, LLC 4561 GARFIELD ROAD AUBURN, MI 48611	PART NUMBER (S) BRKGM12A-8FS-DIN
www.winford.com		989-671-9721	PART REVISION A