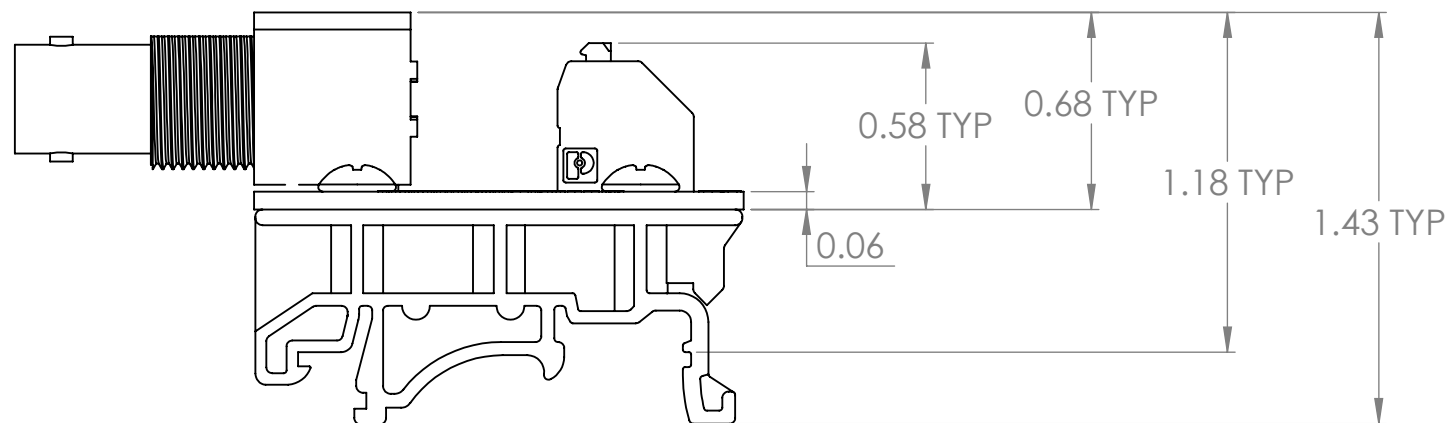
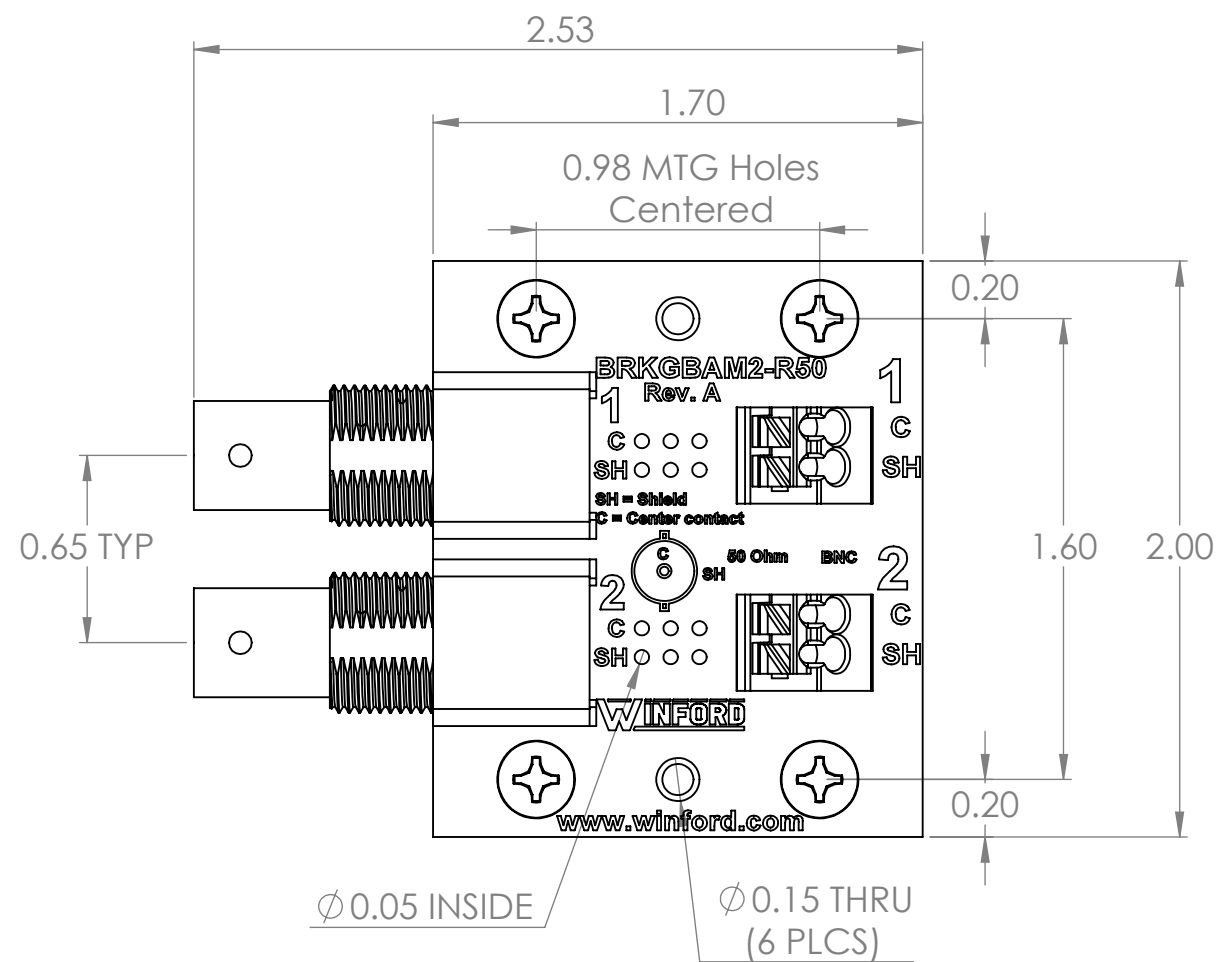
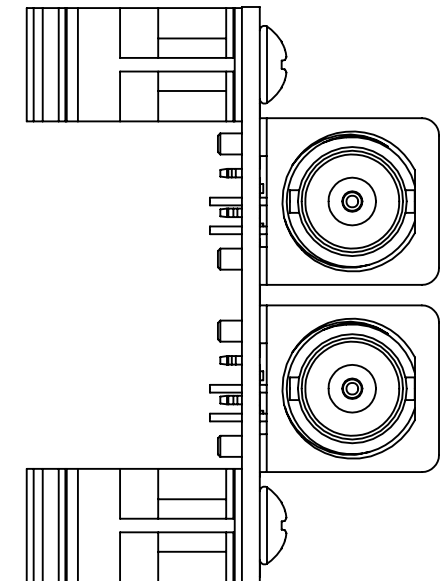


4

3

2

1

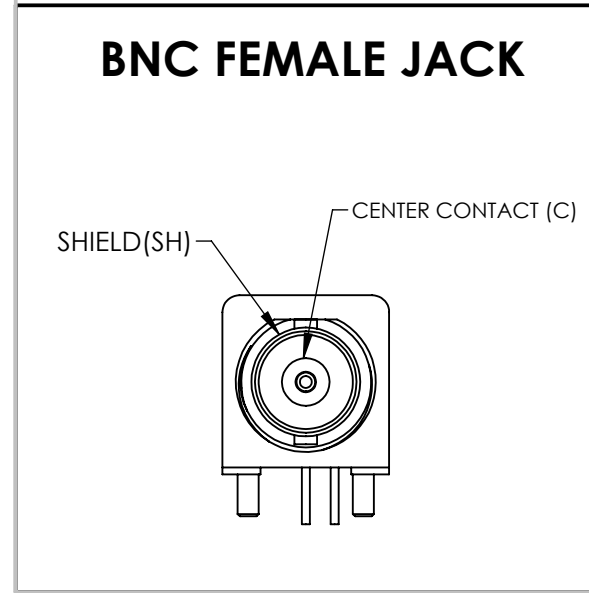


B

B

A

A




4

3

2

1

DIM: INCH	DATE: 08/19/2021	RoHS COMPLIANT: Yes	DESCRIPTION:	
 WINFORD ENGINEERING, LLC 4561 GARFIELD ROAD AUBURN, MI 48611			BNC Female Jack Breakout, 2-pos	
			PART NUMBER (S)	PART REVISION
www.winford.com			BRKGBAM2-R50-DIN	A

4

3

2

1