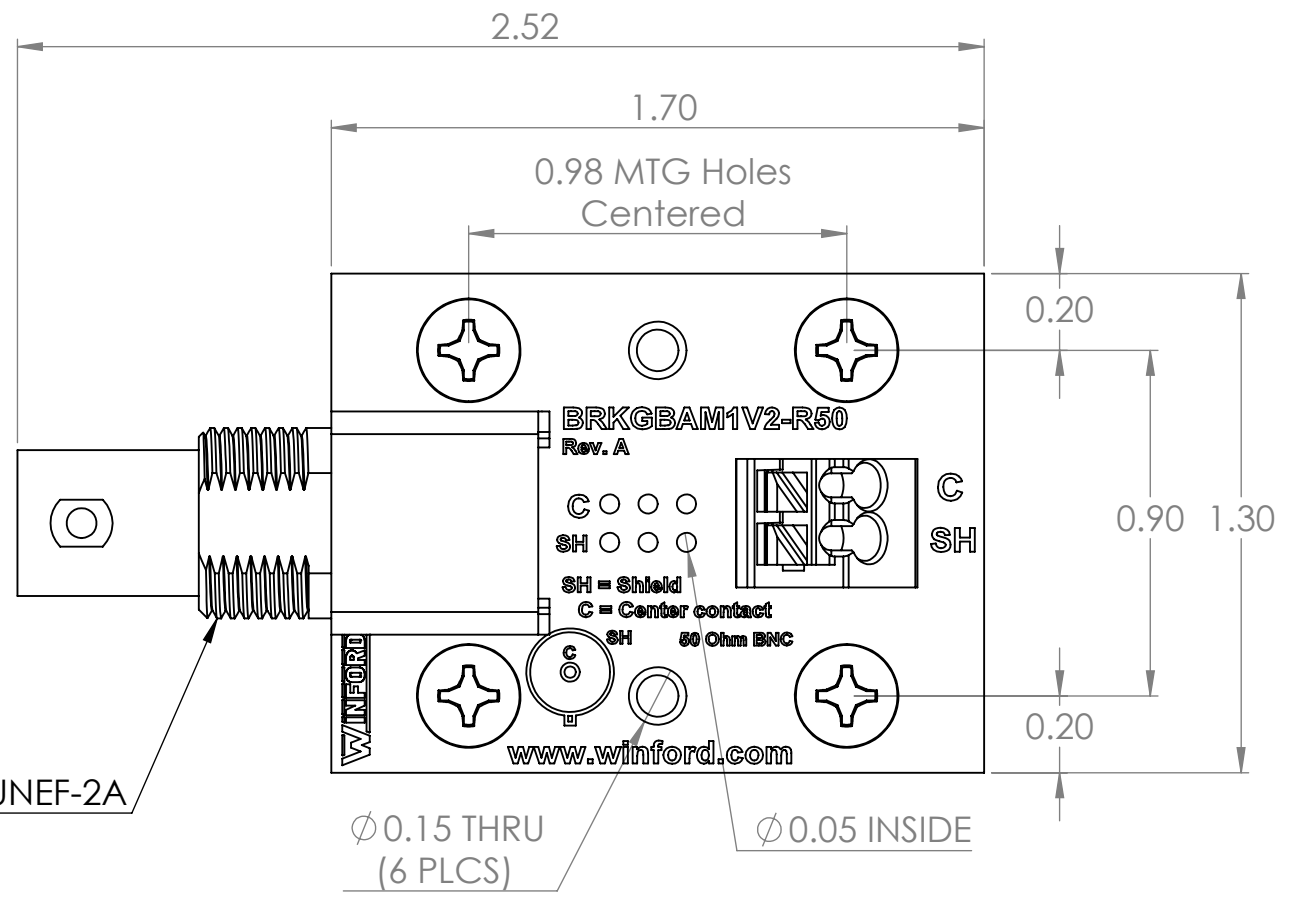
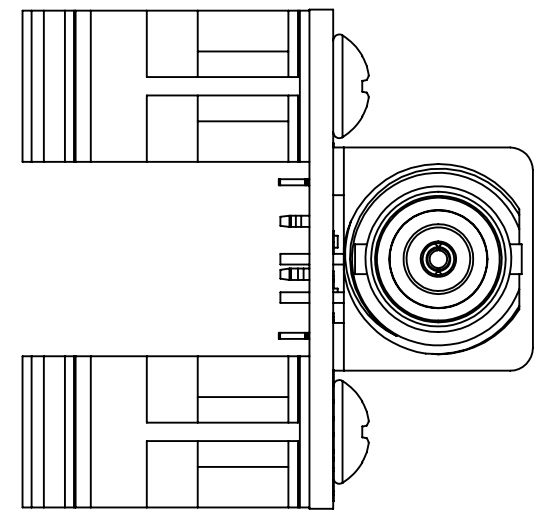


4

3

2

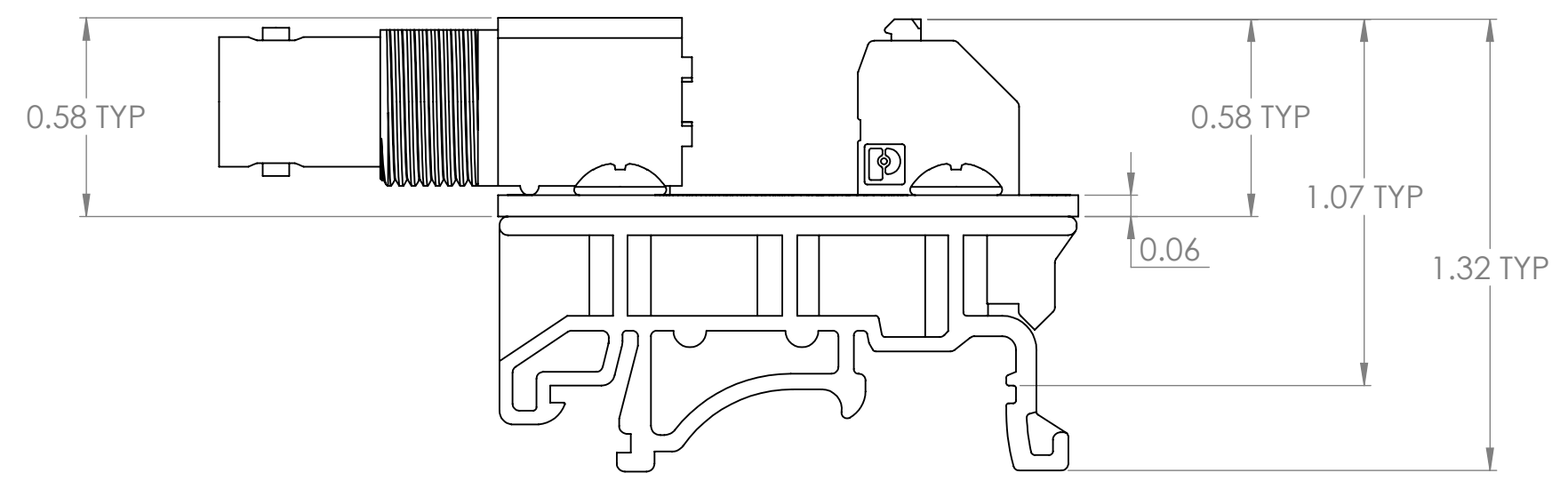
1



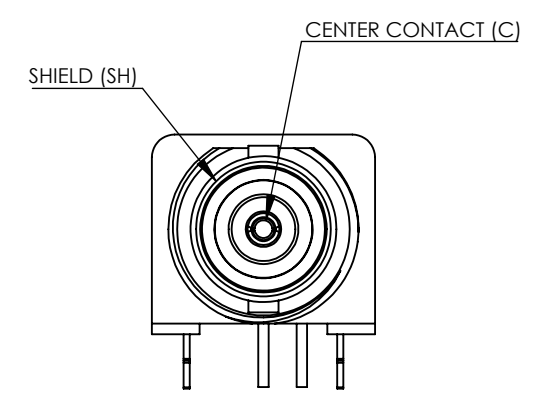
1/2-28 UNEF-2A


Ø 0.15 THRU (6 PLCS)

Ø 0.05 INSIDE



Connector Pinout (Female)



DIM: INCH	DATE: 04/18/2022	RoHS COMPLIANT: Yes	DESCRIPTION:
 WINFORD ENGINEERING, LLC 4561 GARFIELD ROAD AUBURN, MI 48611			BNC Female Jack Breakout, 1-pos
www.winford.com		989-671-9721	PART NUMBER (S)
			BRKGBAM1V2-R50-DIN
			PART REVISION
			A

4

3

2

1