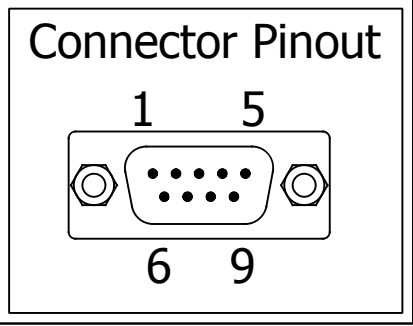
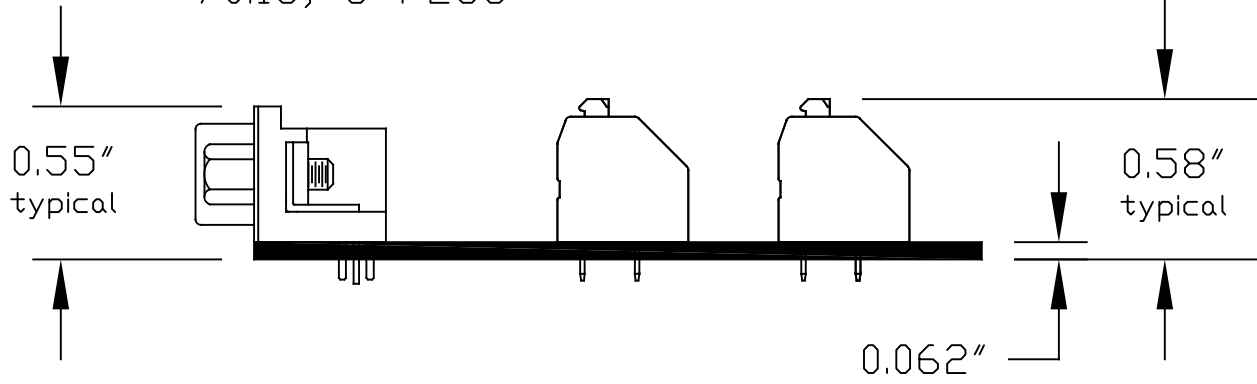


Ø0.04" INSIDE  
 Ø0.15, 6 PLCS



|                                                                                                                            |                  |                     |                                         |
|----------------------------------------------------------------------------------------------------------------------------|------------------|---------------------|-----------------------------------------|
| DIM: Inch                                                                                                                  | DATE: 09-29-2016 | RoHS COMPLIANT: Yes | DESCRIPTION:                            |
|                                                                                                                            |                  |                     | DB9 Male Spring Terminal Breakout Board |
| Winford Engineering, LLC<br>4561 Garfield Road<br>Auburn, MI 48611<br><a href="http://www.winford.com">www.winford.com</a> |                  |                     | PART NUMBER(S):                         |
|                                                                                                                            |                  |                     | BRKG9M-R-N                              |
|                                                                                                                            |                  |                     | PART REVISION:                          |
|                                                                                                                            |                  |                     | A                                       |