

4

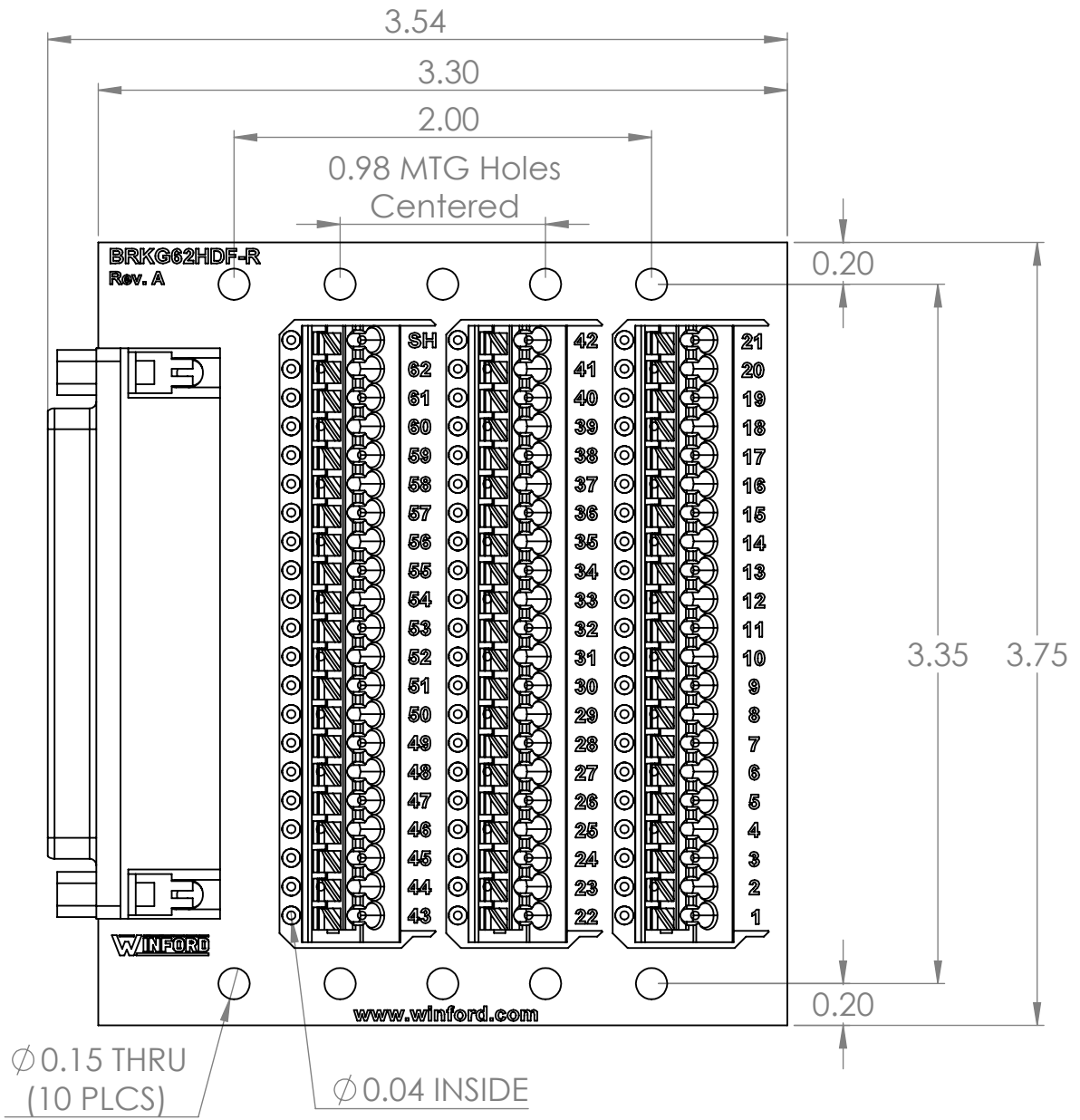
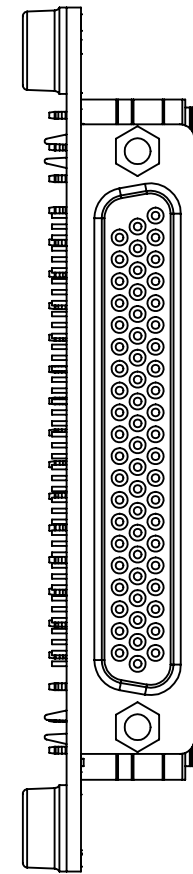
3

2

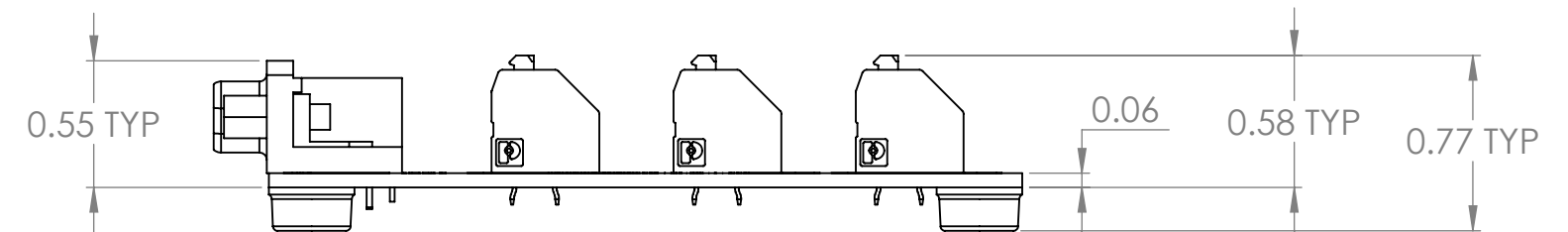
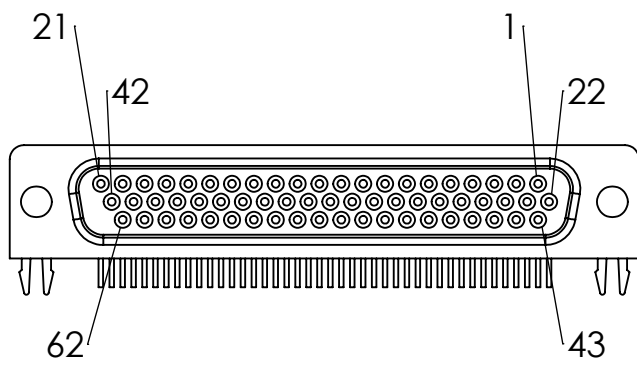
1


B

B



Connector Pinout
(Female)



DIM: INCH	DATE: 08/23/2021	RoHS COMPLIANT: Yes	DESCRIPTION:
 WINFORD ENGINEERING, LLC 4561 GARFIELD ROAD AUBURN, MI 48611			DB62HD Female Breakout with Spring Terminals
www.winford.com		989-671-9721	PART NUMBER (S) BRKG62HDF-R-FT
			PART REVISION A

4

3

2

1

A

A