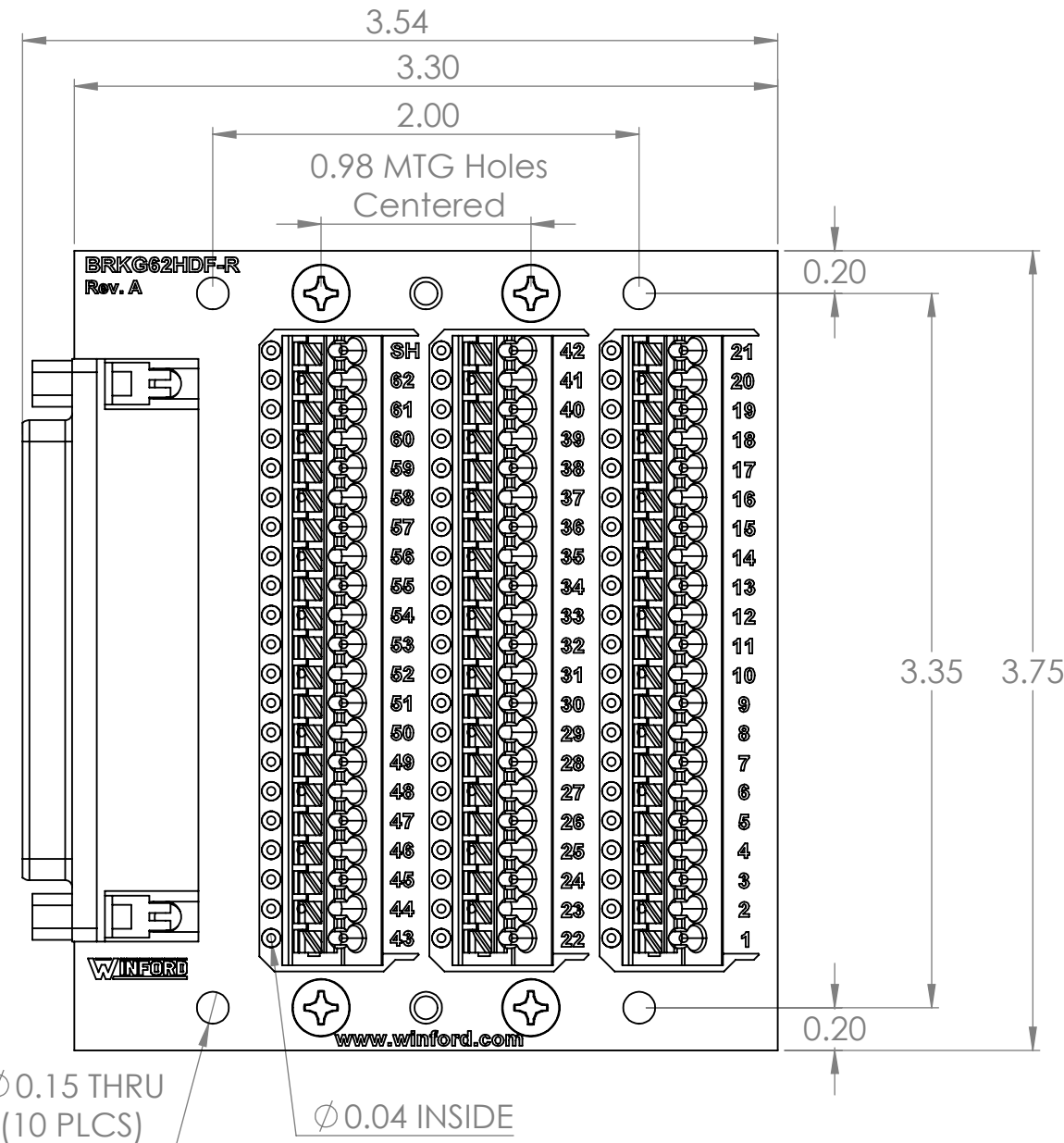
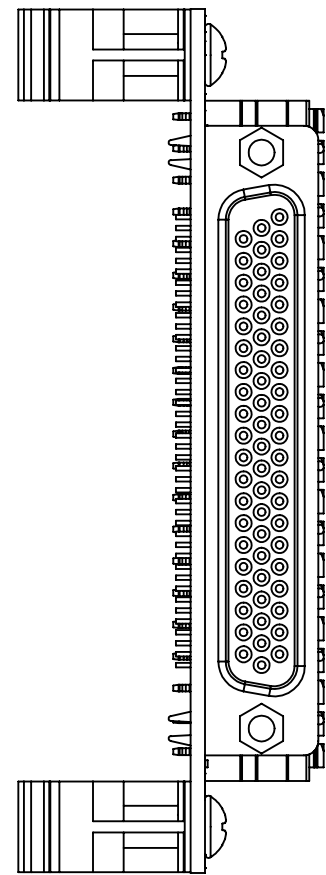


4

3

2

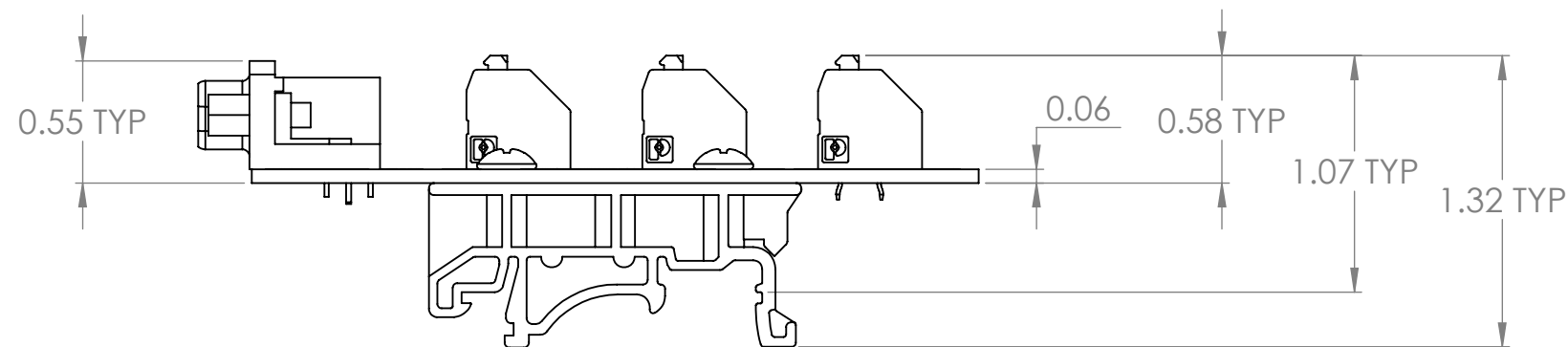
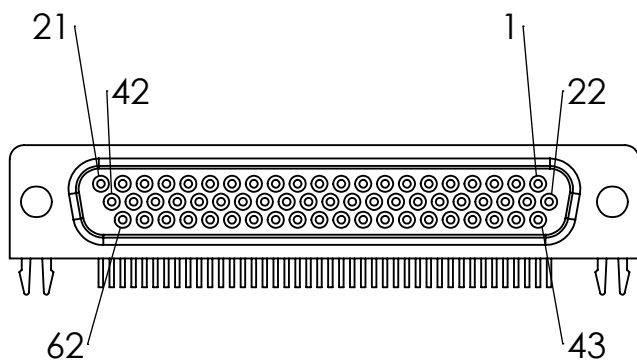
1



B


B

Connector Pinout (Female)



A

A

DIM: INCH	DATE: 08/23/2021	RoHS COMPLIANT: Yes	DESCRIPTION:
 WINFORD ENGINEERING, LLC 4561 GARFIELD ROAD AUBURN, MI 48611			DB62HD Female Breakout with Spring Terminals
www.winford.com		989-671-9721	PART NUMBER (S) BRKG62HDF-R-DIN
			PART REVISION A

4

3

2

1