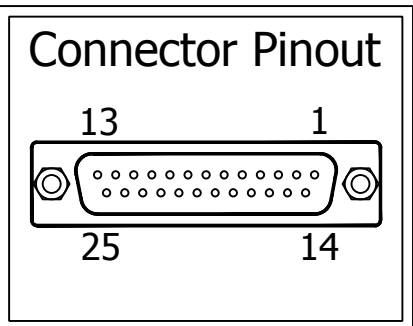
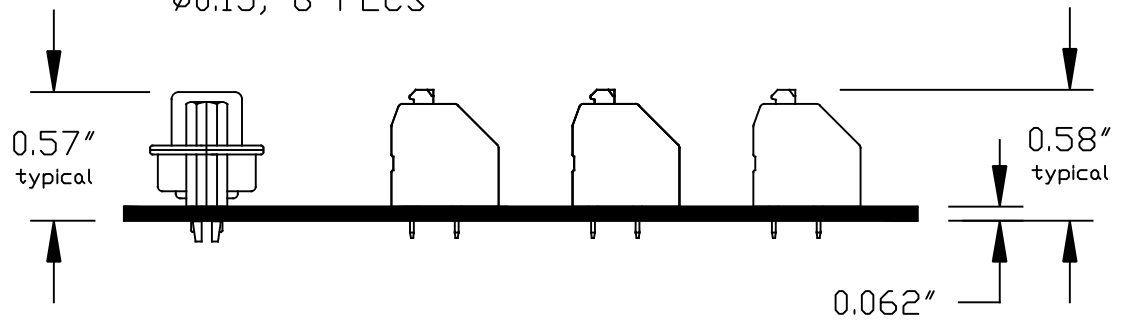



Ø0.04" INSIDE  
Ø0.15, 6 PLCS



DIM: INCH	DATE: 06-30-2016	RoHS COMPLIANT: YES	DESCRIPTION:
 Winford Engineering, LLC 4561 Garfield Road Auburn, MI 48611 <a href="http://www.winford.com">www.winford.com</a> 989-671-9721			DB25 Female Spring Terminal Breakout Board
			PART NUMBER(S): BRKG25F-S-N