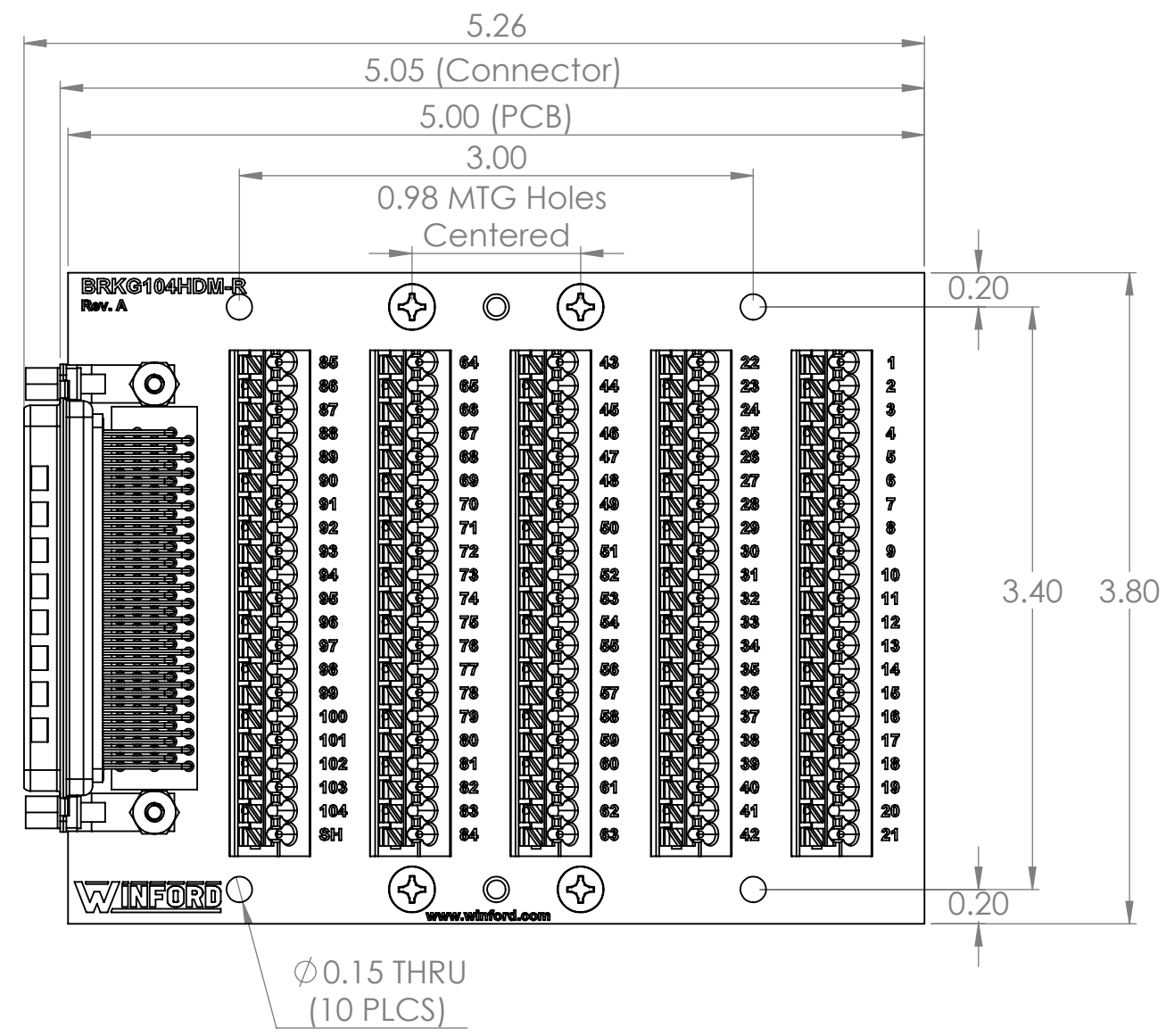
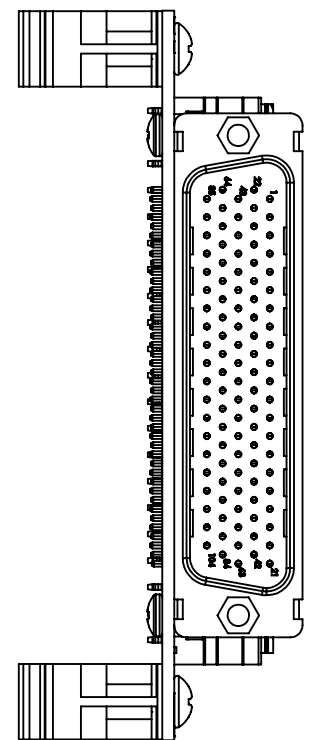


4

3

2

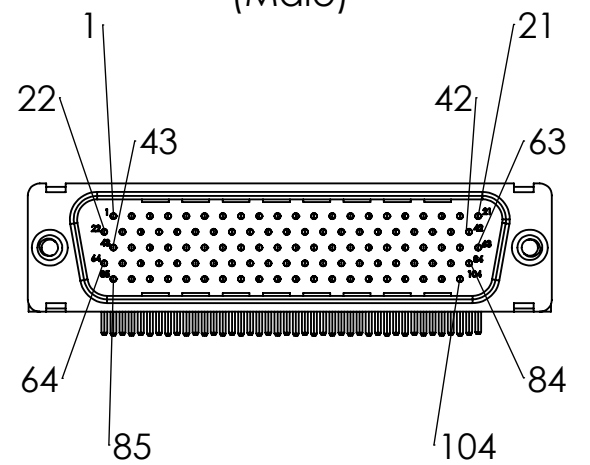
1



B

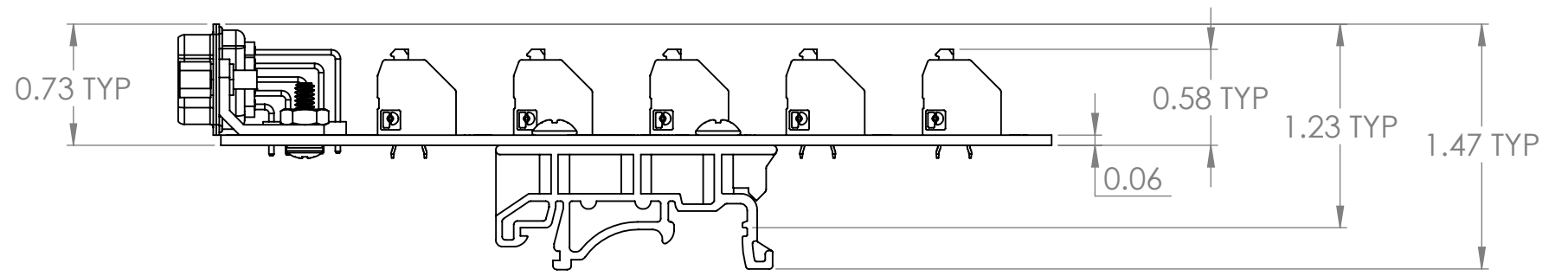
B


Connector Pinout (Male)



A

A



DIM: INCH	DATE: 08/17/2021	RoHS COMPLIANT: Yes	DESCRIPTION: DB104HD Male Breakout with Spring Terminals
 WINFORD ENGINEERING, LLC 4561 GARFIELD ROAD AUBURN, MI 48611			PART NUMBER (S) <b>BRKG104HDM-R-DIN</b>
www.winford.com			PART REVISION <b>A</b>
989-671-9721			

4

3

2

1