

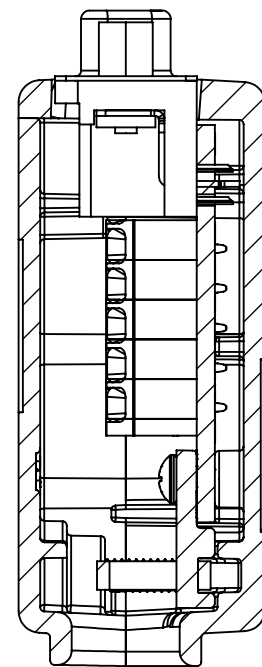
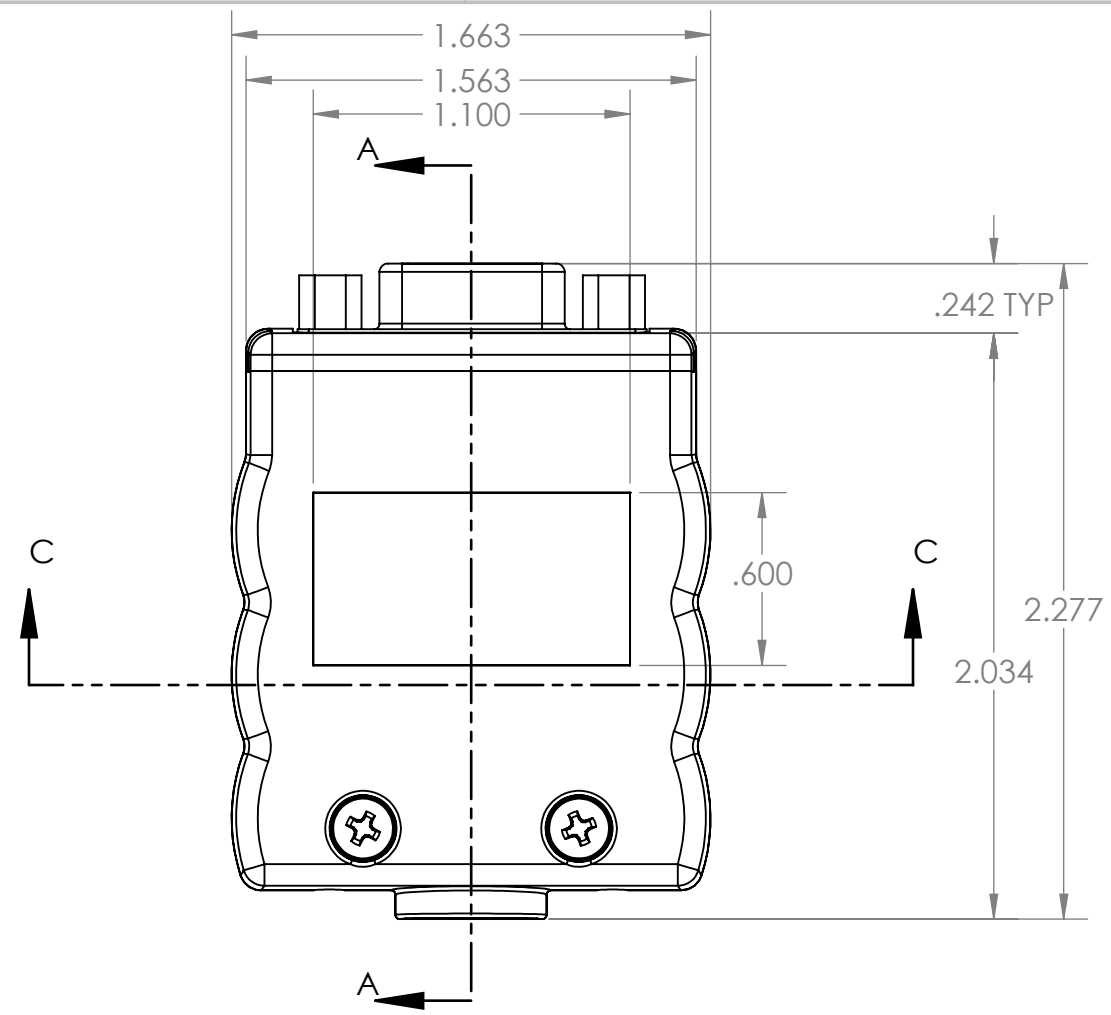
4 3 2 1

B

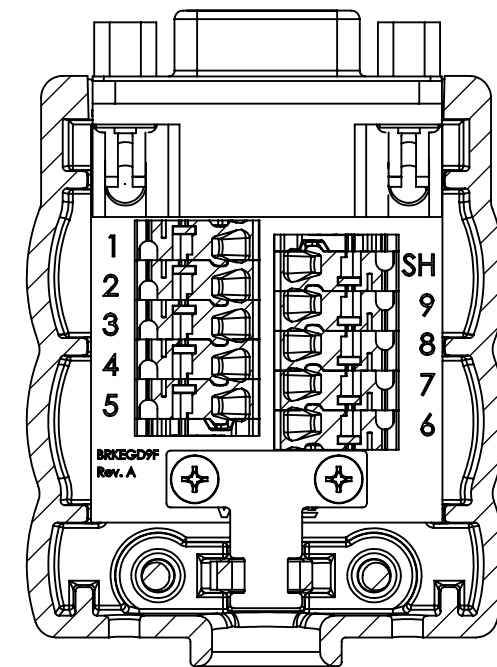
B

A

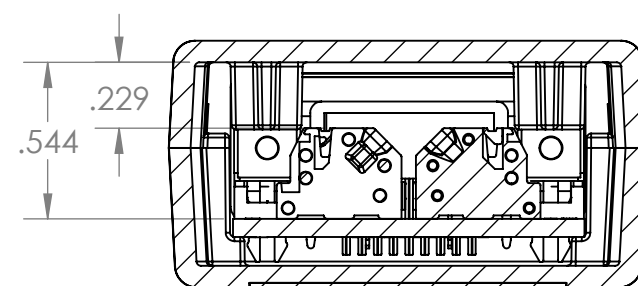
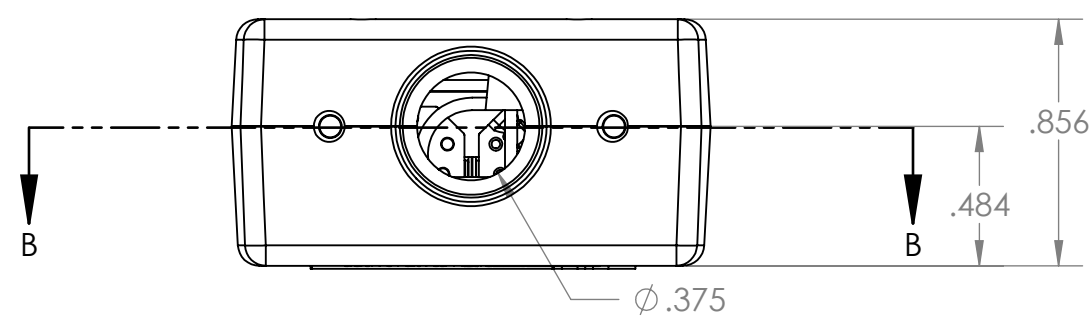
A



SECTION A-A




SECTION B-B



SECTION C-C

4 3 2 1

| | | | |
|----------------------------------------------------------------------------------------------------------------------------------------------------------|------------------|---------------------|----------------------------------------|
| DIM: INCH | DATE: 10/15/2018 | RoHS COMPLIANT: YES | DESCRIPTION: |
|  WINFORD ENGINEERING, LLC 4561 GARFIELD ROAD AUBURN, MI 48611 | | | DB9 Female Breakout Board w/ Enclosure |
| | | | PART NUMBER (S) |
| www.winford.com | 989-671-9721 | BRKEGD9F-R | A |