

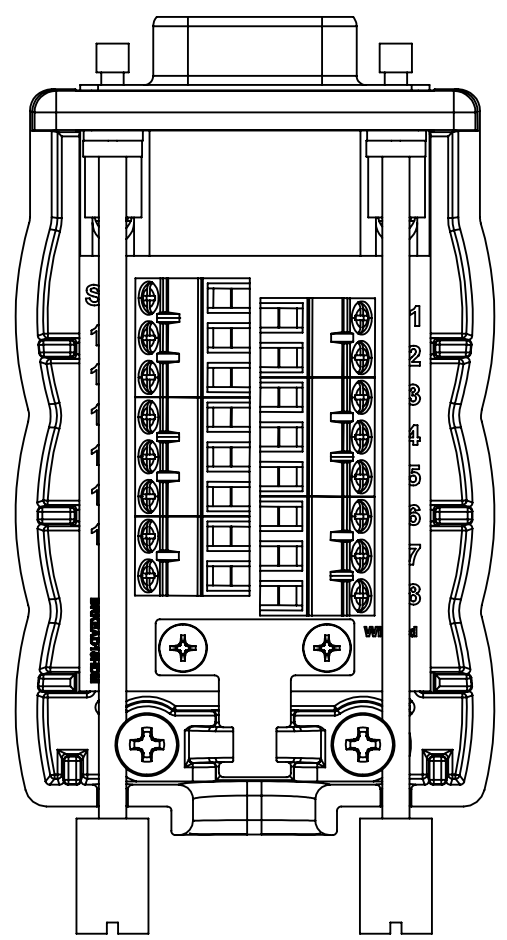
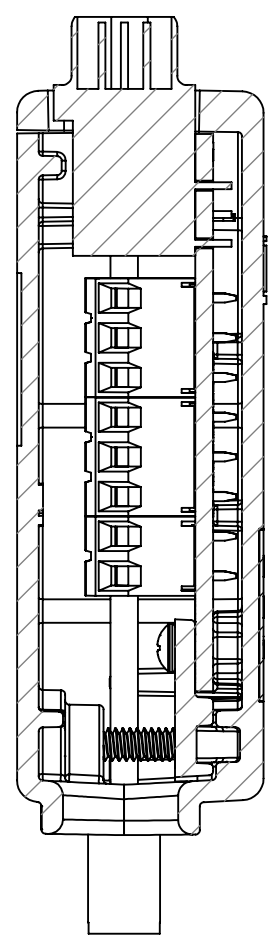
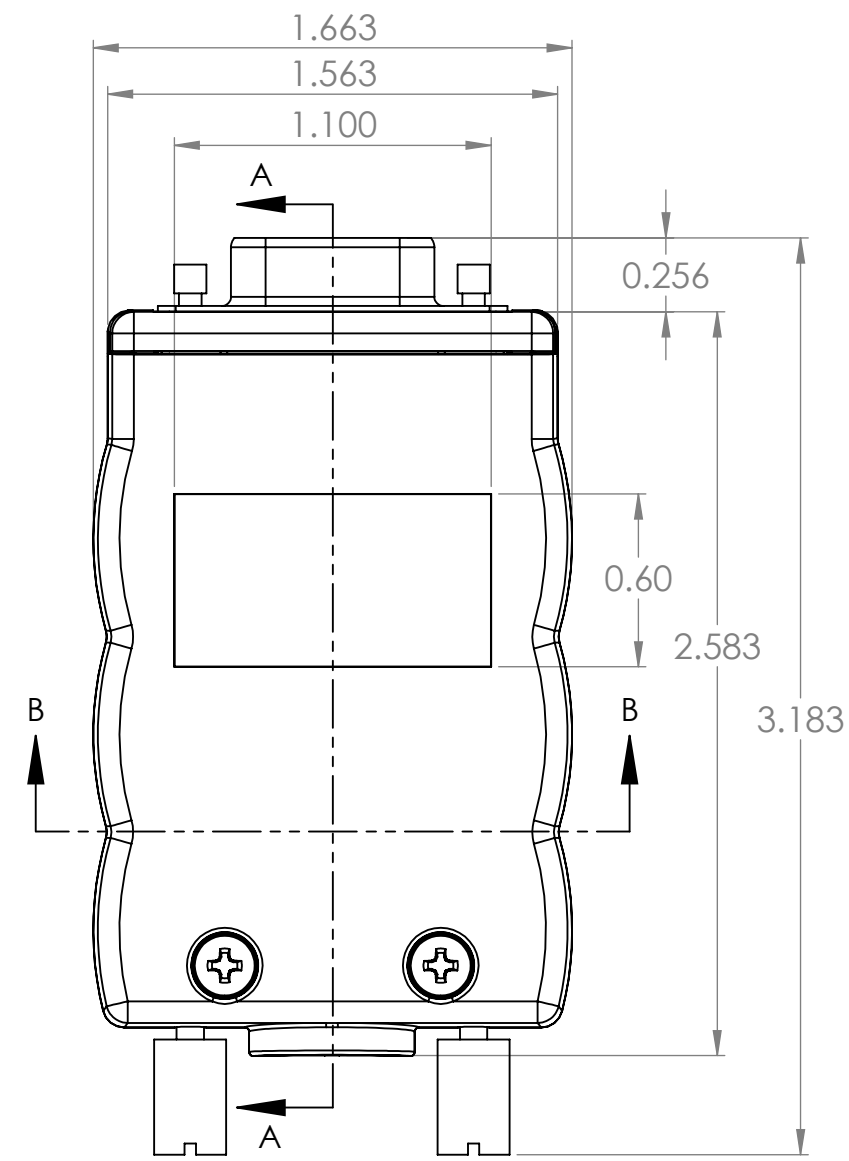
4

3

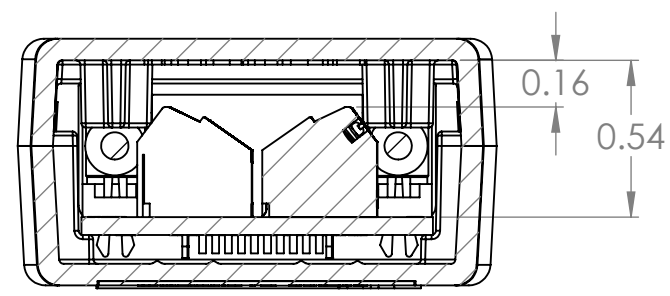
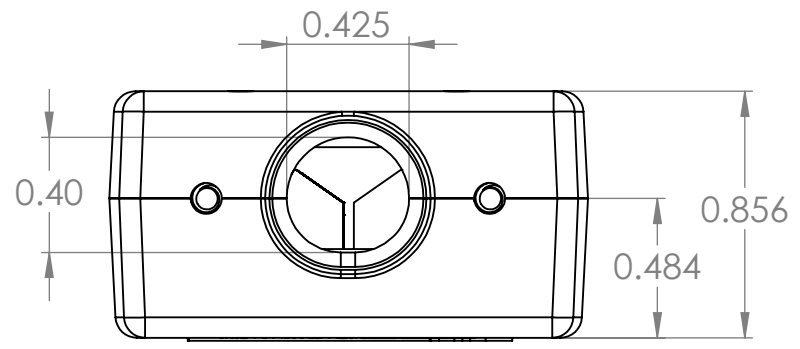
2

1

Base, With Board Installed,
No Cover



SECTION A-A



SECTION B-B

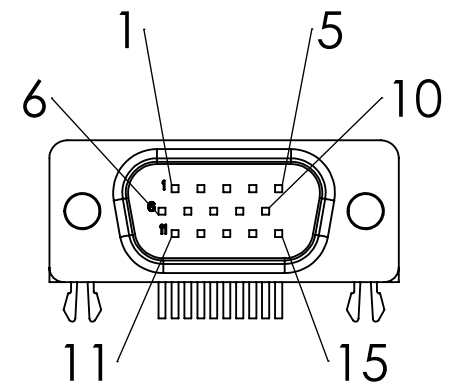
B

B

A

A

Connector Pinout
(Male)




4

3

2

1

DIM: INCH	DATE: 01/25/2024	RoHS COMPLIANT: Yes	DESCRIPTION:
 WINFORD ENGINEERING, LLC 4561 GARFIELD ROAD AUBURN, MI 48611			DB15 HD Breakout W/ Enclosure
www.winford.com		989-671-9721	PART NUMBER (S) BRKEAD15HDM-T
			PART REVISION A