

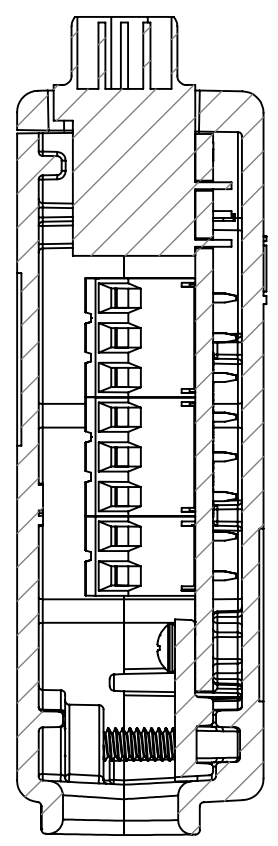
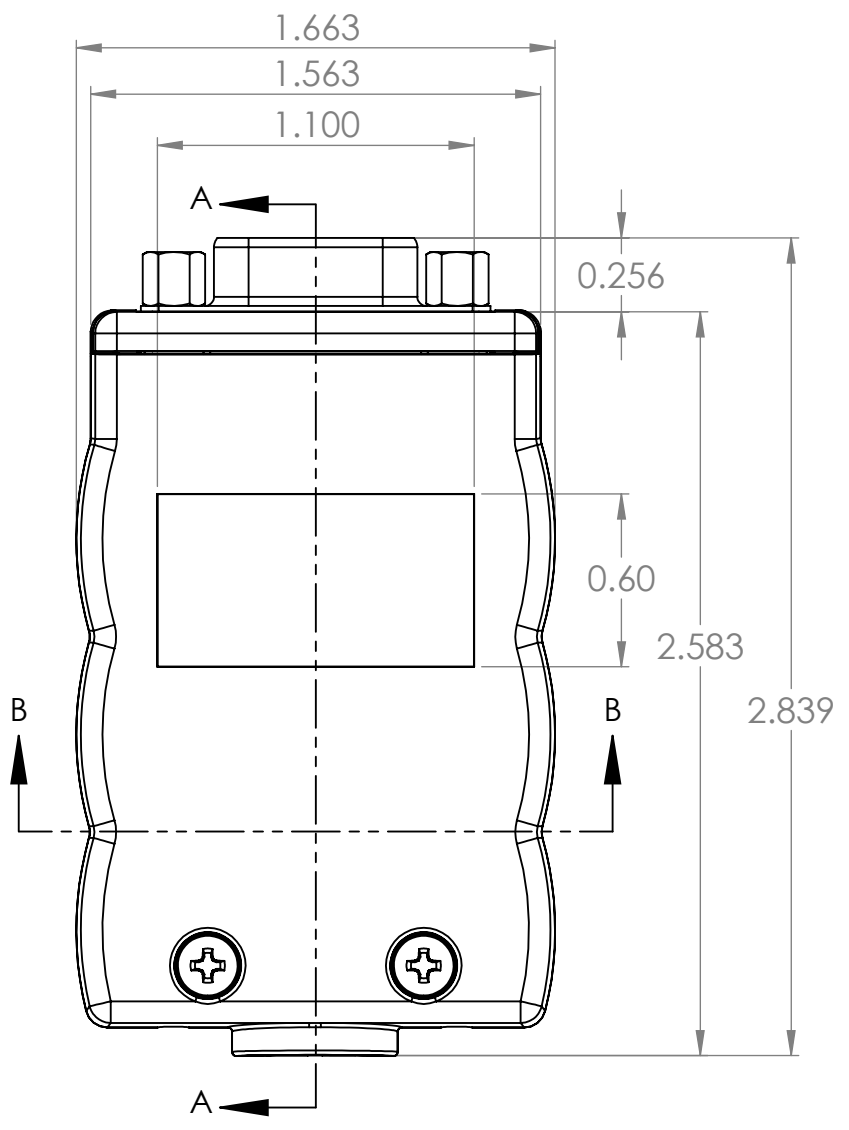
4

3

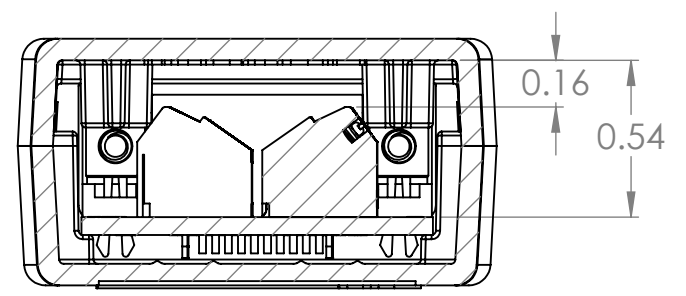
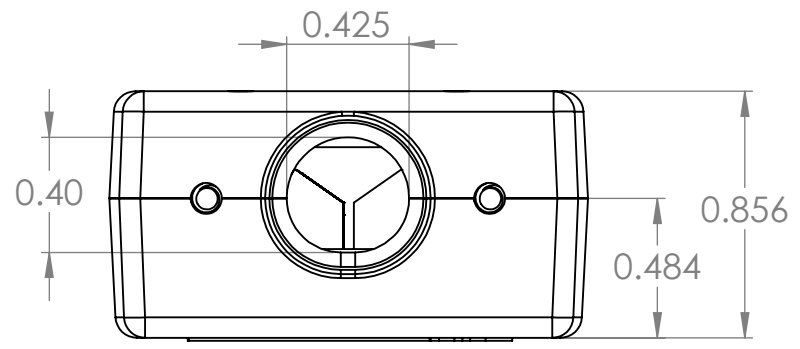
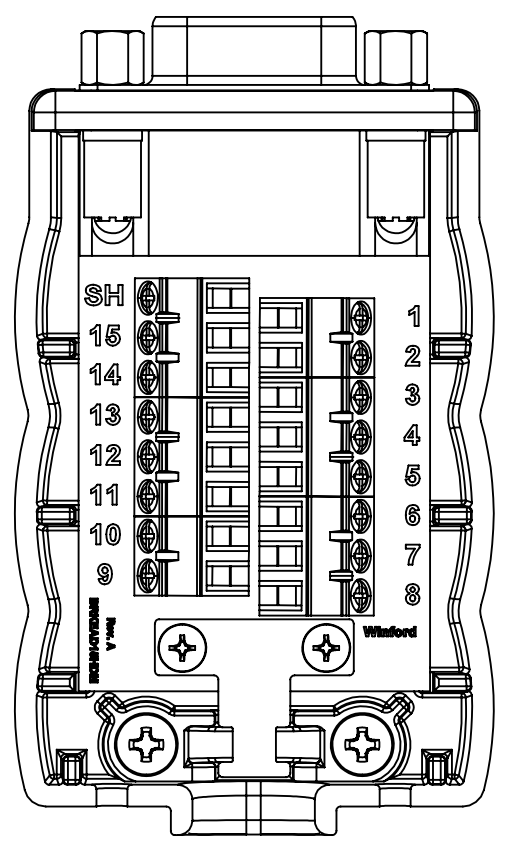
2

1

Base, With Board Installed,
No Cover

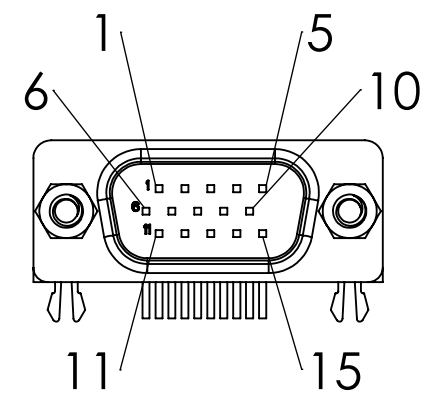



SECTION A-A



SECTION B-B

Connector Pinout
(Male)



DIM: INCH	DATE: 01/25/2024	RoHS COMPLIANT: Yes	DESCRIPTION:
 WINFORD ENGINEERING, LLC 4561 GARFIELD ROAD AUBURN, MI 48611			DB15 HD Breakout W/ Enclosure
www.winford.com			PART NUMBER (S)
989-671-9721			BRKEAD15HDM-R
			PART REVISION
			A

4

3

2

1

B

B

A

A