

4

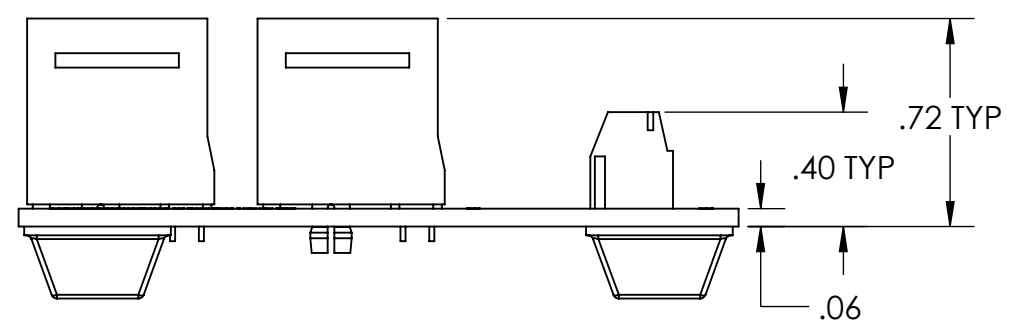
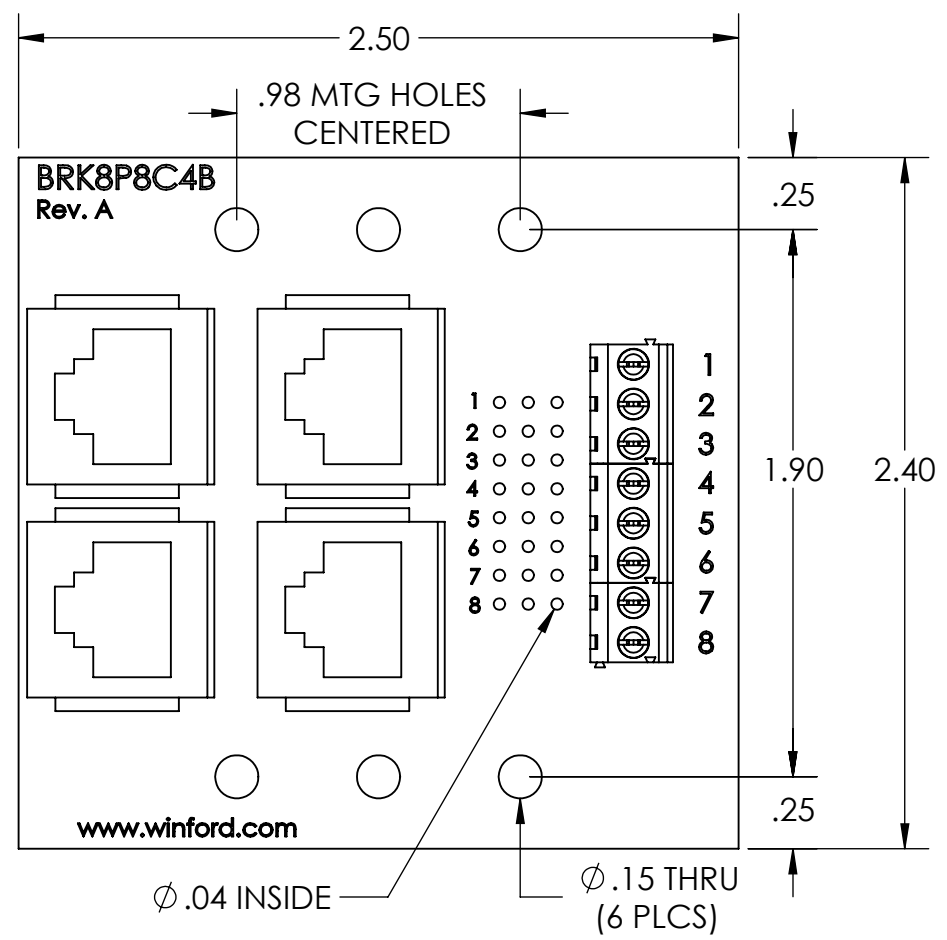
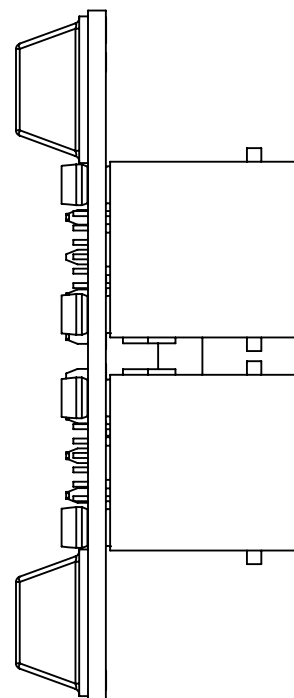
3

2

1

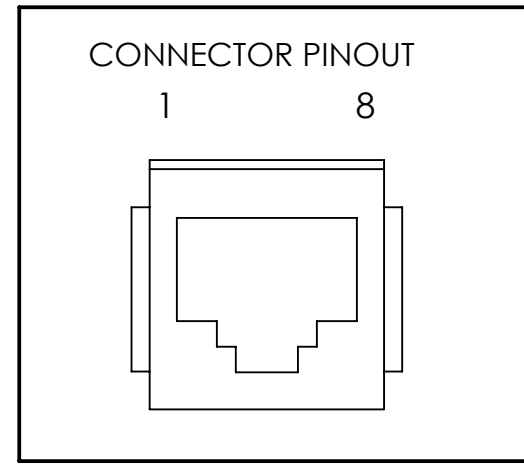
B

B



A

A



DIM: INCH	DATE: 01/26/2020	RoHS COMPLIANT: YES	DESCRIPTION:
 WINFORD ENGINEERING, LLC 4561 GARFIELD ROAD AUBURN, MI 48611			RJ45/8P8C 4-Way Buss Breakout
www.winford.com		989-671-9721	PART NUMBER (S)
			BRK8P8C4B-S-FT
			PART REVISION
			A

4

3

2

1