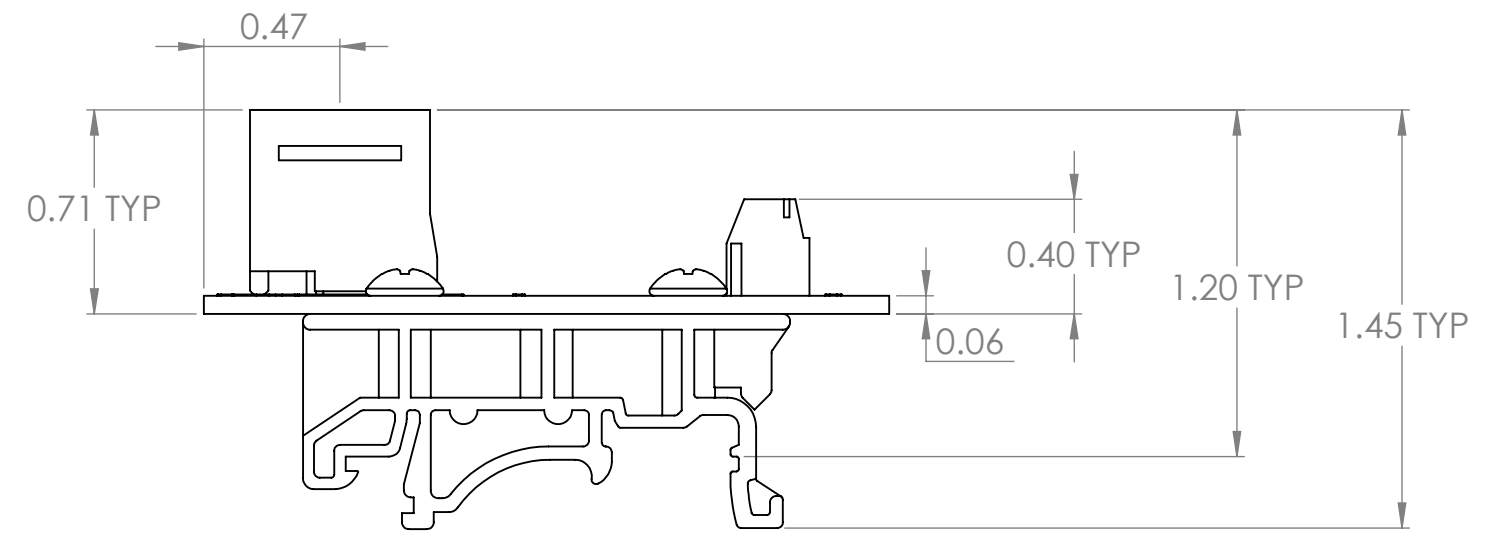
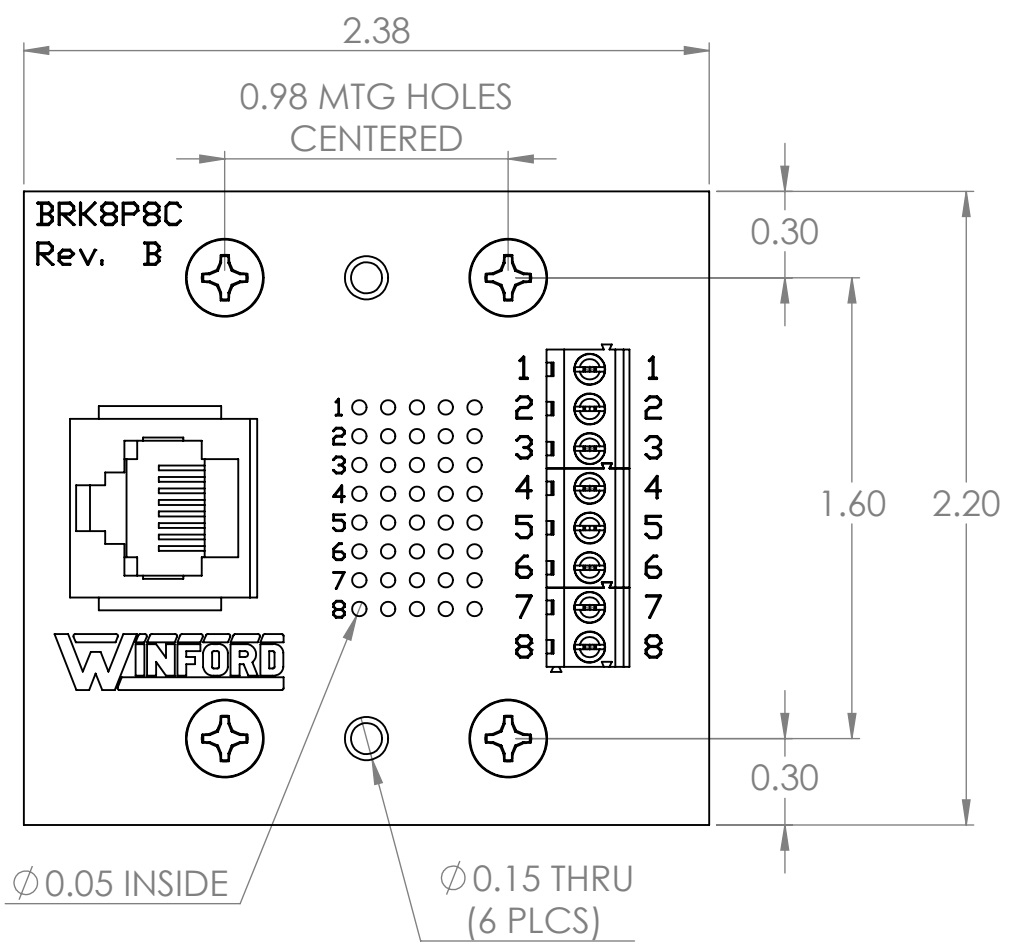
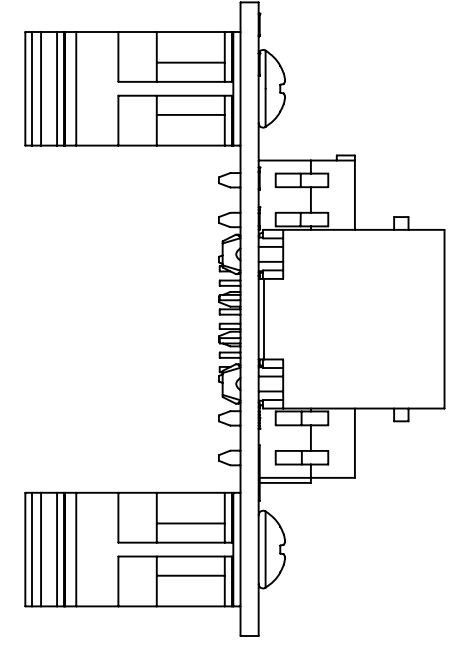


4

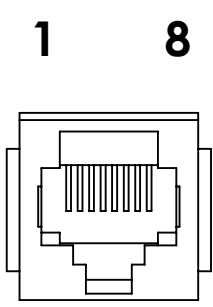
3


2

1



Connector Pinout



DIM: INCH	DATE: 08/05/2021	RoHS COMPLIANT: Yes	DESCRIPTION: <b>8P8C Breakout Board</b>	
		WINFORD ENGINEERING, LLC 4561 GARFIELD ROAD AUBURN, MI 48611	PART NUMBER (S) <b>BRK8P8C-S-DIN</b>	PART REVISION <b>B</b>
www.winford.com		989-671-9721		

4

3

2

1

B

B

A

A