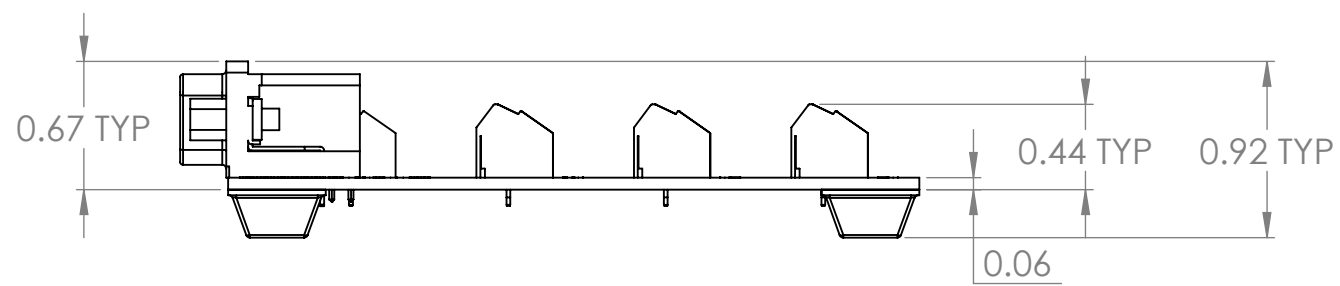
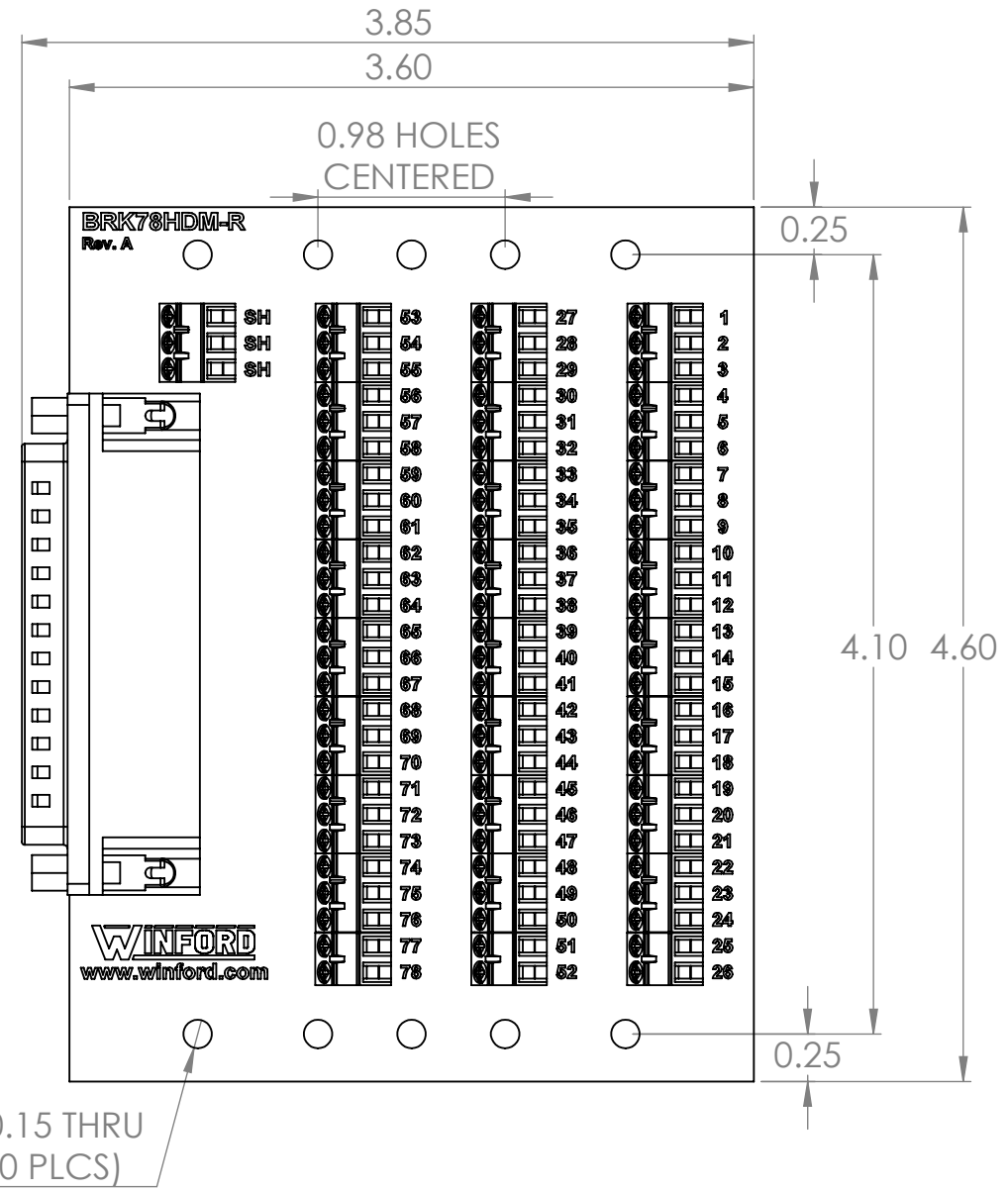
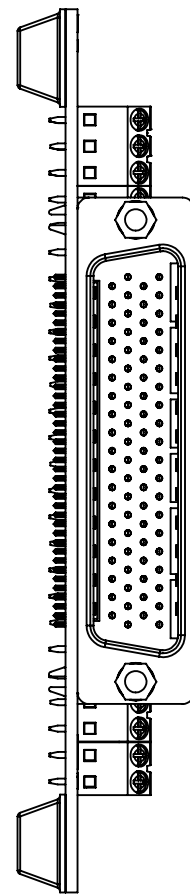


4

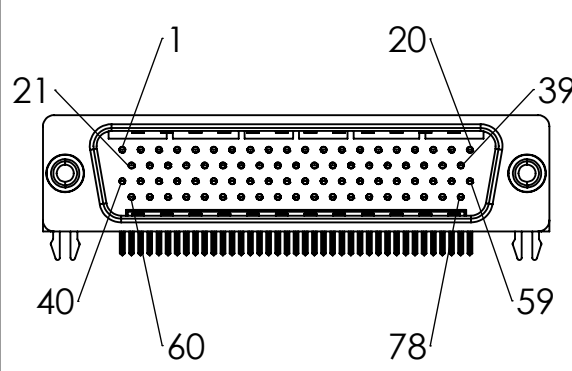
3


2

1



Connector Pinout



| | | | |
|----------------------------------------------------------------------------------------------------------------------------------------------------------|------------------|---------------------|-----------------------------------------|
| DIM: INCH | DATE: 02/13/2021 | RoHS COMPLIANT: Yes | DESCRIPTION: |
|  WINFORD ENGINEERING, LLC 4561 GARFIELD ROAD AUBURN, MI 48611 | | | DB78 Male Breakout Board |
| www.winford.com | | 989-671-9721 | PART NUMBER (S) BRK78HDM-R-FT |
| | | | PART REVISION A |

4

3

2

1

B

B

A

A