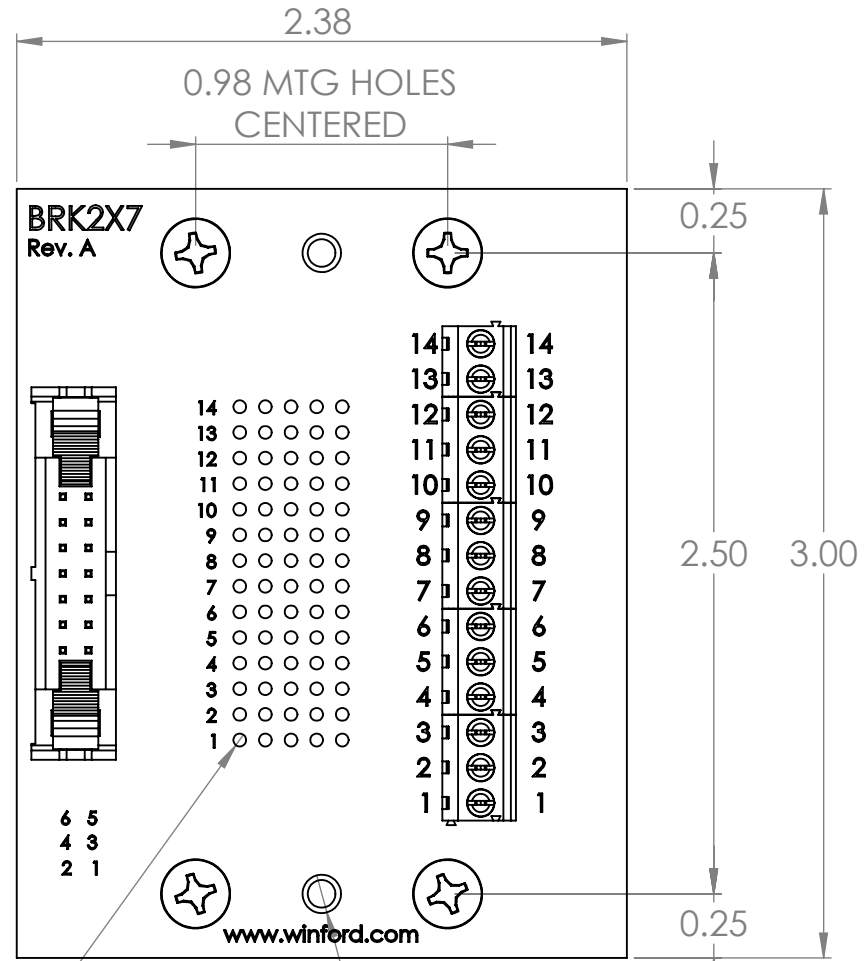
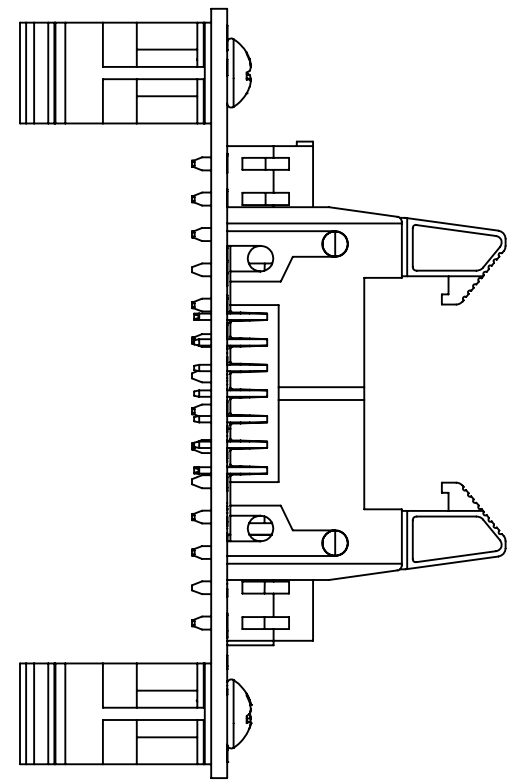


4

3

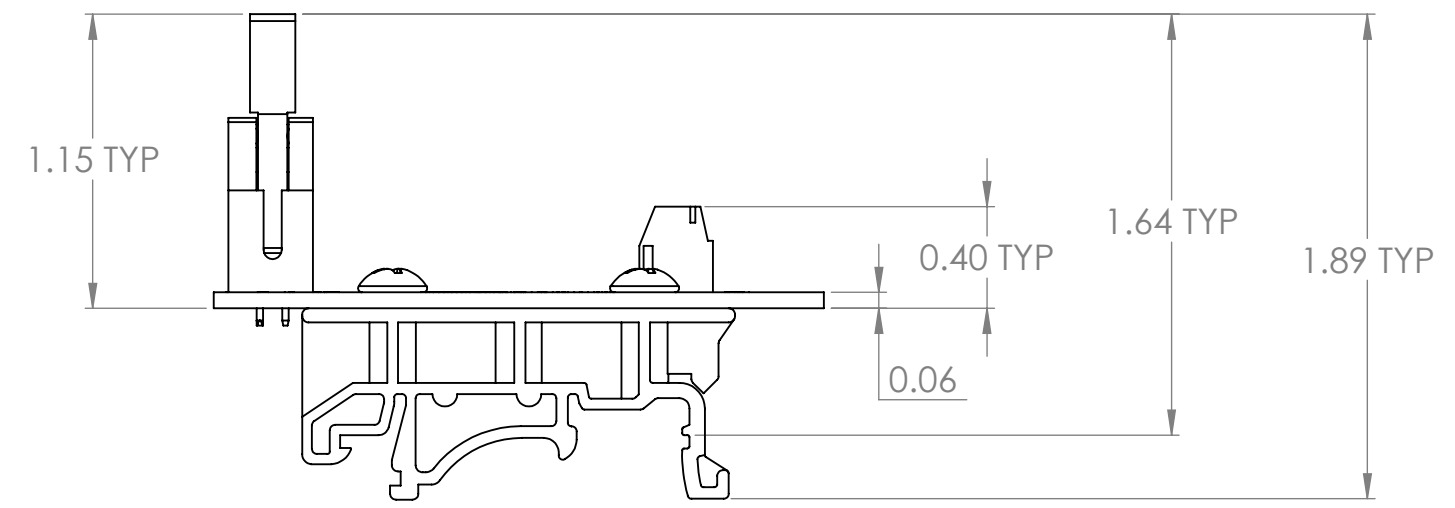
2

1

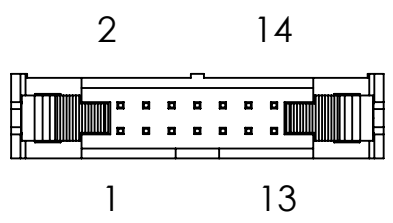



Ø0.05 INSIDE

Ø0.15 THRU
(6 (PLCS))



Connector Pinout



| | | | |
|--|------------------|---------------------|--|
| DIM: INCH | DATE: 07/01/2021 | RoHS COMPLIANT: Yes | DESCRIPTION: |
|  WINFORD ENGINEERING, LLC 4561 GARFIELD ROAD AUBURN, MI 48611 | | | 2x7 0.1" Header Breakout Board |
| www.winford.com | | 989-671-9721 | PART NUMBER (S) BRK2X7-L-DIN |
| | | | PART REVISION A |

4

3

2

1

B

B

A

A