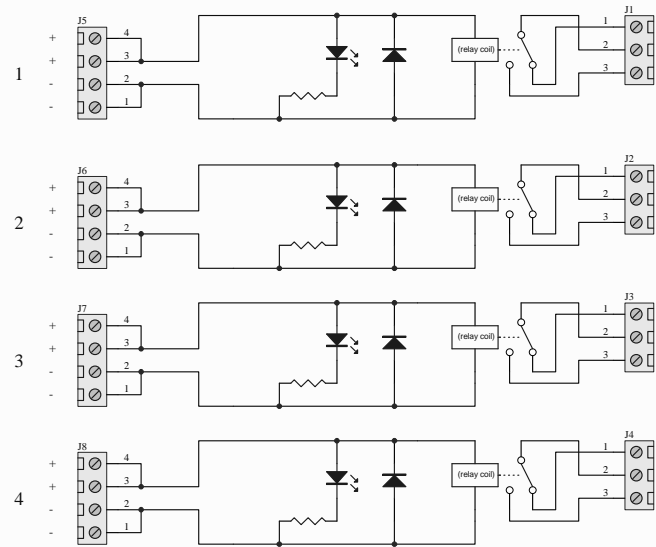


# RLP104 Rev B to Rev D Schematic

(This schematic accurately represents the circuit, but some individual components are combined in a single package on the product PCB)



RLP104 Rev B-D  
4-RELAY BOARD  
WINFORD ENGINEERING  
[www.winford.com](http://www.winford.com)